

STUDIO TABLE

Jennifer Newman

Features:

- Tough hard-wearing materials
- Industrial castors with brakes
- Optional in-leg power and data
- Tidy in-leg cable management
- Removable leg panels (concealing cables)
- Bespoke colours
- Handmade in our UK workshop
- 5 year warranty

Environmental:

- British manufacture
- FISP accredited
- FSC accredited
- Durable materials
- 86% recycled steel

Installation:

- Delivered disassembled.
- Full assembly instructions provided.



Birch ply surface. Steel legs Gunmetal.

Optional Power & Data

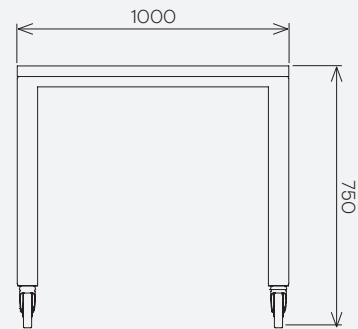
Various power and data configurations are available, with combinations of UK power, USB and Data sockets as required. Please refer to the separate "Power and Data Options" information sheet.

Dimensions & Weight

All dimensions in mm.

Two standard size options.

W	D	H	kg
1900	1000	750	74
2400	1000	750	96



Legs (inside only) Powder-coated finishes

lacquer sealed



Surfaces (inside only) Birch ply

lacquer sealed

