

Features:

- Tough hard-wearing materials
- For inside & outside use
- Will not rust
- Removable net for table use
- Heavy construction ideal for exposed windy terraces
- Bespoke colours
- Handmade in our UK workshop
- 5 year warranty

Environmental:

- British manufacture
- FISP accredited
- 100% recyclable
- Durable materials
- 86% recycled aluminium
- Economical to re-paint

Installation:

- Delivered disassembled.
- Full assembly instructions provided.

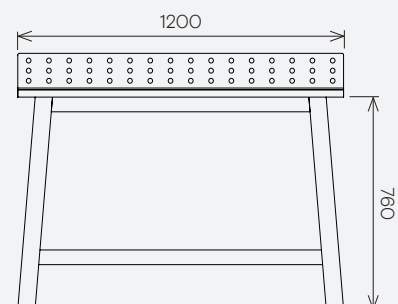
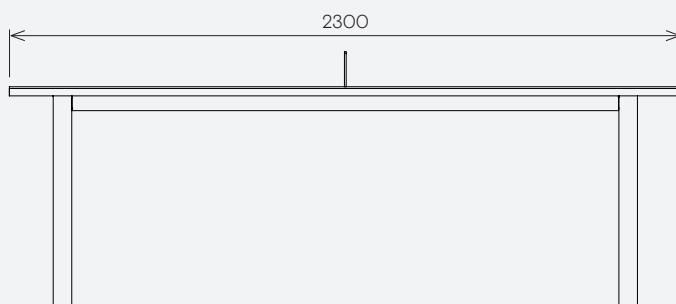


Powder-coated aluminium (surface colour Deep Cream BS 381-C-353, legs/net Traffic Red RAL 3020)

Dimensions & Weight

All dimensions in mm.

W	D	H	kg
2300	1200	760	80



Powder-coated finishes (inside and outside)

lacquer sealed

