

# Jennifer Newman | Form table and bench indoor/outdoor use

Table | Simple, quick assembly  
 Bench | All-welded, no assembly required

**Table** 2150w x 610d x 750h mm - two leg positions.  
**Bench (Medium)** 1300w x 305d x 450h mm  
**Bench (Large)** 1800w x 305d x 450h mm

**Table** 1650w x 610d x 750h mm - two leg positions.  
**Bench (Small)** 800w x 305d x 450h mm  
**Bench (Medium)** 1300w x 305d x 450h mm

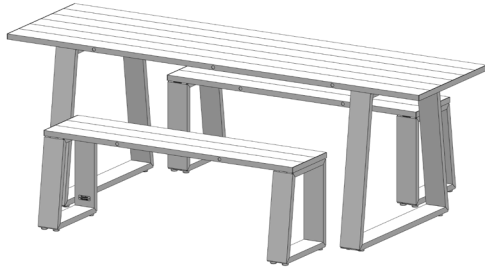


Table - 50kg  
 Bench -20kg

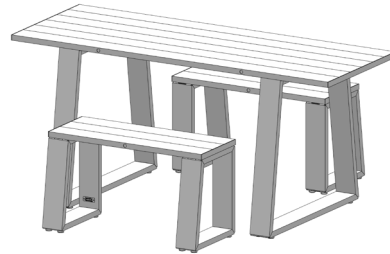
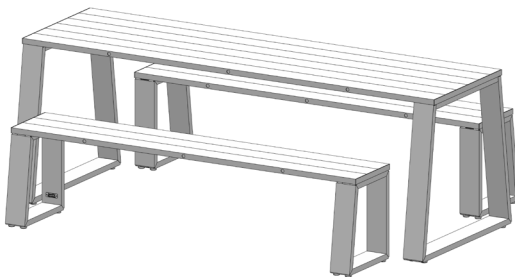
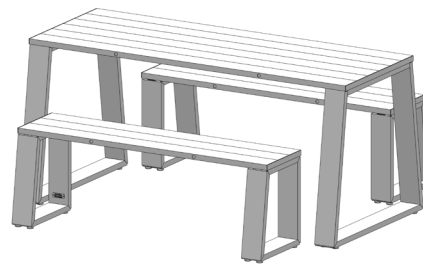


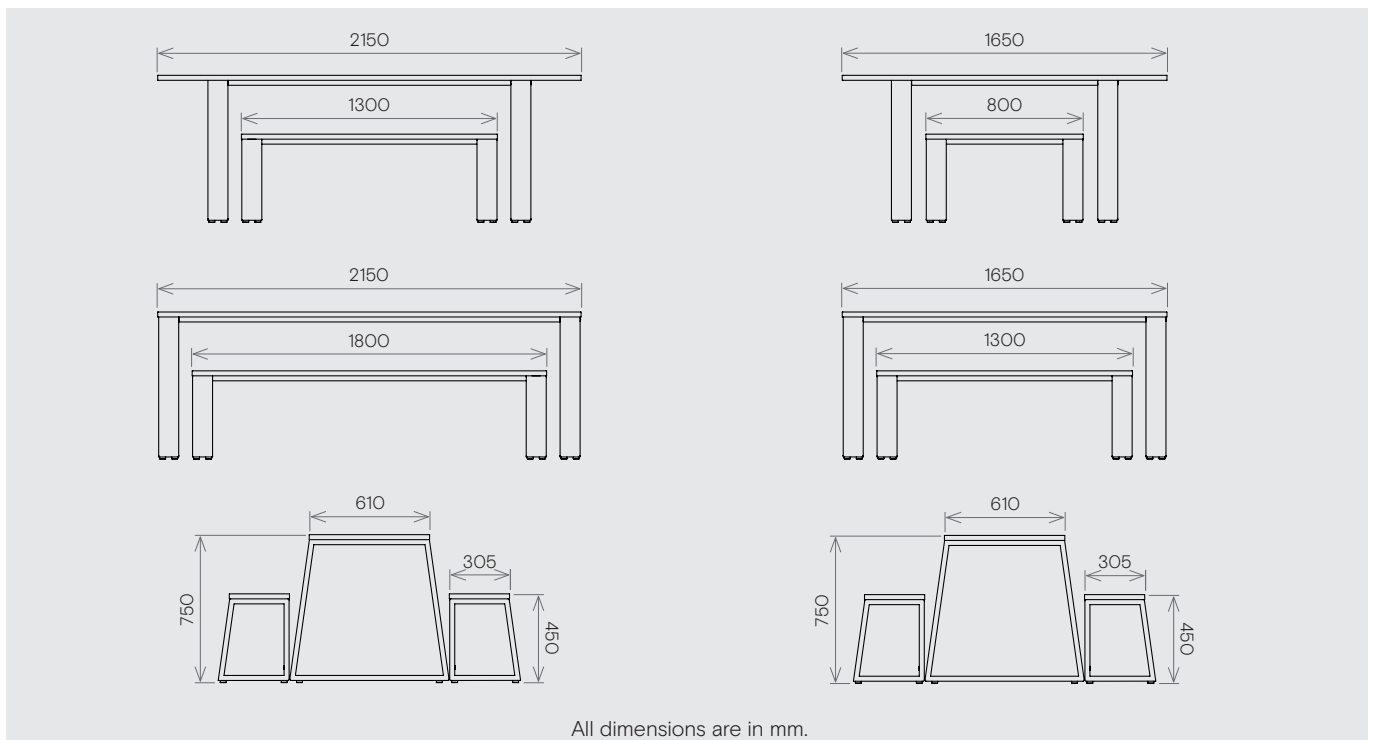
Table - 40kg  
 Bench -15kg



Bench -25kg



Bench -20kg



## Fine texture powder-coat finish providing:

- High resistance to wear-and-tear
- Low-glare reflection
- Long life durability
- Ease of cleaning
- Anti-bacterial and Volatile-Organic-Compound free.

## Other benefits and features:

- Aluminium for long-life, will not rust.
- Bolt-down brackets available.
- Low maintenance.
- 12 standard colours, others on request (see separate reference sheet).