

ALFRESCO-BENCH

Jennifer Newman

Features:

- Tough hard-wearing materials
- For inside & outside use
- Bespoke surface colours
- Wheelchair access
- Heavy construction ideal for exposed windy terraces
- Handmade in our UK workshop
- 5 year warranty

Environmental:

- British manufacture
- FISP accredited
- FSC accredited
- Demountable for re-use or recycling
- 86% recycled aluminium
- 60% recycled stainless steel
- Durable materials

Installation:

- Delivered disassembled.
- Full assembly instructions provided.



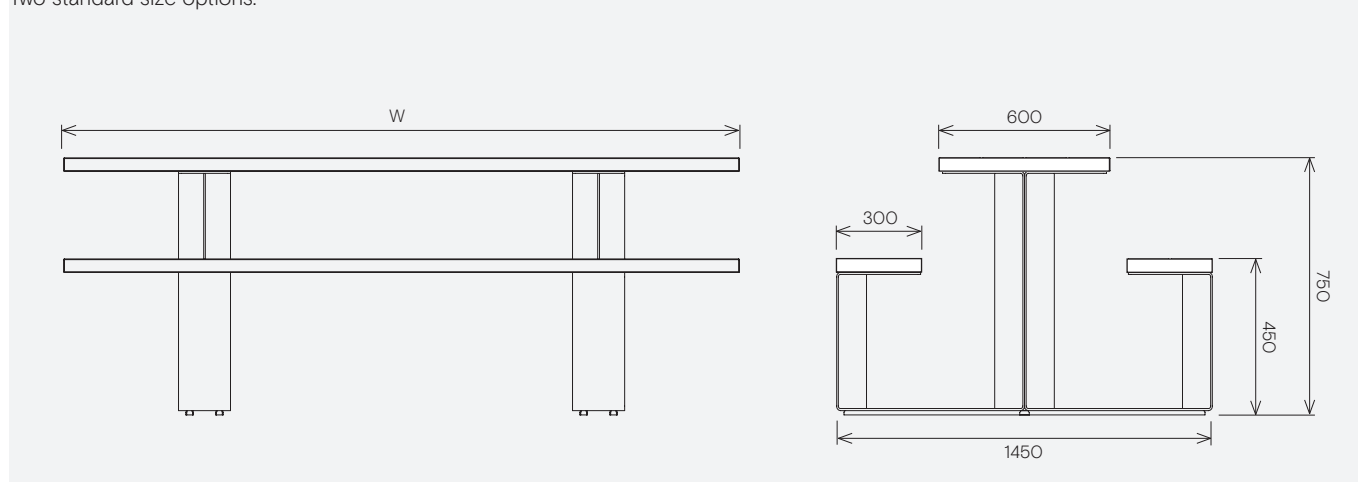
Powder-coated aluminium surface (colour Sable BS O4-B-21). Legs: Stainless steel

Dimensions & Weight

All dimensions in mm.

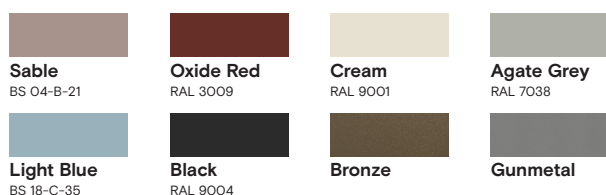
Two standard size options.

W	D	H	Seats	kg
2000	1450	750	8	135
2400	1450	750	10	140



Surfaces (inside and outside) Powder-coated finishes

lacquer sealed



Surfaces (inside only) Birch ply

lacquer sealed

