

BLOCK TABLE

Jennifer Newman

Uses

Terraces - Canteens - Breakout Areas - Office

Key Features

- For outside and inside use
- Two styles of matching bench available
- Will not rust
- Handmade in our workshop
- 5 year warranty

Materials

Outside wood surface option:

Natural Iroko Slats

Will turn silver grey when exposed to UV light.

Inside surface options:

- 24mm birch ply
- Tough lacquer finished
- Clear finish or tinted colour as below:

Outside metal surface & frame:

Durable aluminium powdercoated in the following JN specially selected colours or any RAL Classic colours

Agate Grey	Gun Metal Pyrite 2525 Matt
Light Blue	Light Blue BS 18 C 35
Sable	Sable BS 04 B 21
Light Ivory	Deep Cream BS 381 C 353
Beige Grey	Bronze 2525 Matt
Black	Black RAL 9004
Oxide Red	Oxide Red RAL 3009

Optional Extras

- Bespoke sizes
- Bolt-down lugs
- Parasol hole
- Laminate or veneer on birch plywood

Seating

- Block End Bench & Block Bench

Environmental

- British manufacture
- FISP accredited
- 86% Recycled aluminium

Installation

Delivered disassembled

Full assembly instructions inside fixing pack.

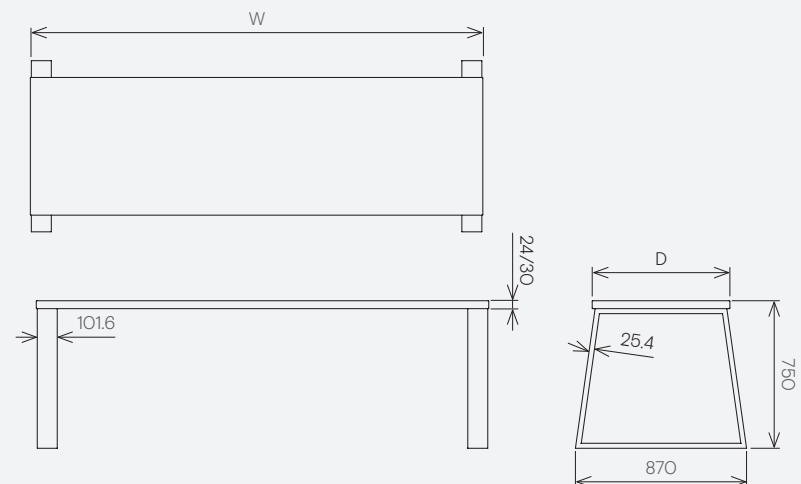


Product shown in colour : Citrine 51

Dimensions & Weight

All dimensions in mm. Bespoke sizes are available on request.

W	D	H	kg
1800	700	750	40
2300	700	750	50



Seating Arrangement

