

# CLUB-STRIPE TABLE

Jennifer Newman

## Uses

Breakout Areas - Dining - Canteens - Offices

## Key Features

- Fully customisable stripe widths and colour combinations
- Robust surface and frame
- For inside use only
- 5 year warranty

## Materials

### Surface:

- 24mm birch ply
- Tough lacquer finished
- Clear finish or tinted colour as below:

### Frame:

Heavy duty steel powdercoated in the following JN specially selected colours or any RAL Classic colours

<b>Agate Grey</b>	<b>Gun Metal</b> Pyrite 2525 Matt
<b>Light Blue</b>	<b>Light Blue</b> BS 18 C 35
<b>Sable</b>	<b>Sable</b> BS 04 B 21
<b>Light Ivory</b>	<b>Deep Cream</b> BS 381 C 353
<b>Beige Grey</b>	<b>Bronze</b> 2525 Matt
<b>Black</b>	<b>Black</b> RAL 9004
<b>Oxide Red</b>	<b>Oxide Red</b> RAL 3009

## Optional Extras

- Bespoke sizes
- Power & data - mounted in table surface
- 

## Environmental

- British manufacture
- FISP accredited
- Durable materials
- 86% Recycled steel

## Installation

Delivered disassembled

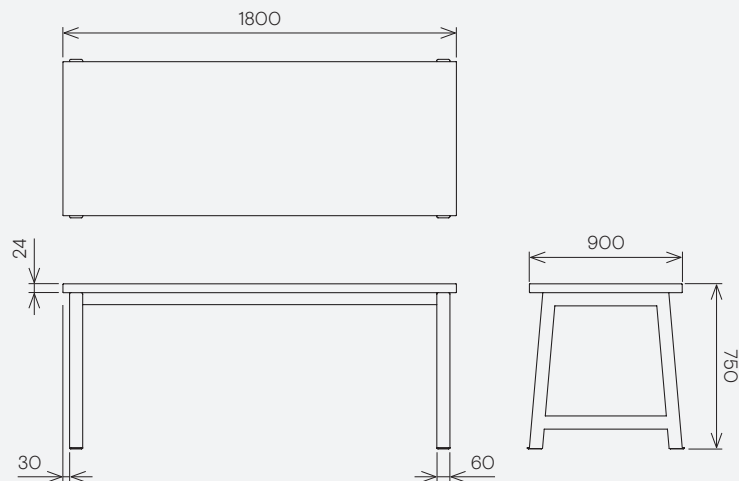
Full assembly instructions inside fixing pack.



## Dimensions & Weight

All dimensions in mm. Bespoke sizes are available on request.

W	D	H	kg
1800	900	750	78



## Seating Arrangement

