

BLOCK BENCH

Jennifer Newman

Uses

Terraces – Canteens – Breakout Areas – Office

Key Features

- For outside and inside use
- Will not rust
- 5 year warranty

Materials

Outside Surface:

Solid Iroko Slats
Unfinished. Will turn silver grey when exposed to UV light

Inside Surface:

24mm FSC Birch ply with clear or tinted lacquers, available in the following JN standard colours:

Frame:

Aluminium with polyester powder-coat, available in the following JN standard colours:

Clear lacquer	Gun Metal Pyrite 2525 Matt
Light Pink	RAL 3015
Pine Green	RAL 6028
Pastel Blue	RAL 5024
Pastel Orange	RAL 2003
Light Ivory	RAL 1015
Traffic Red	RAL 3020
Black	RAL 9004
Agate Grey	RAL 7038
Cream	RAL 9001
White	RAL 9010

Optional Extras

- Bolt-down lugs or in-structure weights
- Non-standard RAL colours
- Bespoke sizes
- Laminate or veneer on birch plywood

Alternative seating

- Block End Bench

Environmental

- British manufacture
- FISP accredited
- 100% Recyclable frame
- 86% Recycled aluminium
- FSC timber

Installation

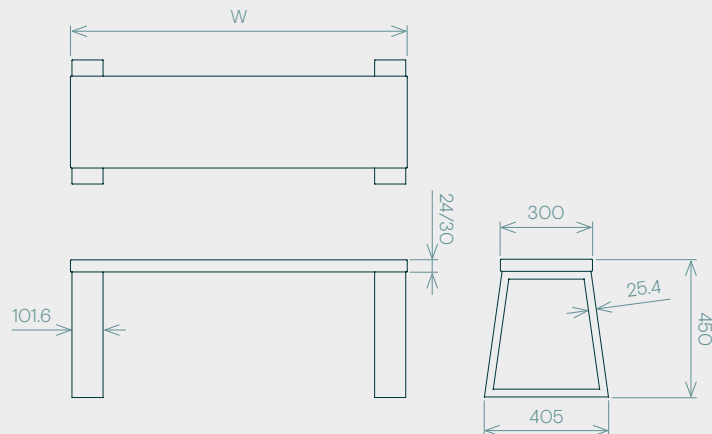
Full assembly instructions inside fixing pack.



Dimensions & Weight

All dimensions in mm. Bespoke sizes are available on request.

W	D	H	kg
1100	300	450	12
1600	300	450	14
1900	300	450	16



Seating Arrangement

