

BLOCK BENCH

Jennifer Newman

Uses

Terraces - Canteens - Breakout Areas - Office

Key Features

- For outside and inside use
- Will not rust
- 5 year warranty

Materials

Outside Surface:

Solid Iroko
Unfinished – will turn silver grey when exposed to UV light

Frame:

Powder-coated aluminium legs, in the following standard colours:

Inside Surface:

FSC birch ply with:

Clear lacquer

BS 02 C 33

Polyester powder-coat

Light Pink

Tinted lacquer

RAL 6028

Polyester powder-coat

Pine Green

Tinted lacquer

BS 18-C-35

Polyester powder-coat

Light Blue

Tinted lacquer

RAL 1015

Polyester powder-coat

Light Ivory

Tinted lacquer

RAL 3020

Polyester powder-coat

Traffic Red

Tinted lacquer

RAL 9004

Polyester powder-coat

Black

Tinted lacquer

RAL 9001

Polyester powder-coat

Cream

Tinted lacquer

Optional Extras

- Bolt down brackets
- Non-standard RAL colours
- Bespoke sizes
- Laminate or veneer on birch plywood

Alternative seating

- Block End Bench

Environmental

- British manufacture
- FISP accredited
- Durable materials; easily maintained and recycled
- 86% Recycled aluminium

Installation

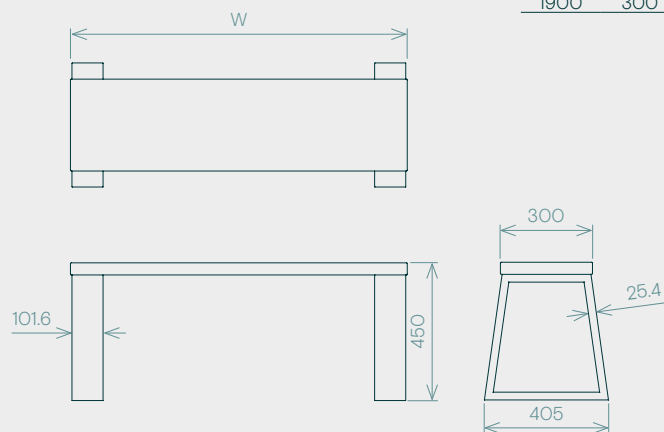
Full assembly instructions inside fixing pack.



Standard Dimensions & Weight

All dimensions in mm. Bespoke sizes are available on request.

W	D	H	kg
1100	300	450	14
1600	300	450	18
1900	300	450	20



Seating Arrangement

