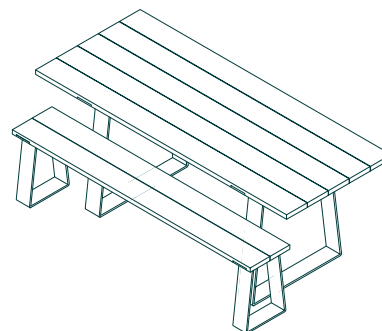


EDGE TABLE & BENCH

with an Iroko slatted surface
and Powder-Coated Aluminium frame



IROKO (SLATS)

CLEANING

Routine:

Non-abrasive damp cloth and mild detergent.

DO NOT USE GRANULAR CLEANING MATERIAL OR BLEACH / ACIDS.

Stains:

Sometimes, a brown tannin is released from the wood. This is a natural process and nothing to worry about. It is easily removed with a damp cloth and sugar soap. The release of the tannins will stop soon after exposure to the elements.

Any other stains, not removed by routine detergent, can be sanded and re-oiled with **Osmo WR Base Coat Clear**.

MAINTENANCE

Outside Use:

No regular maintenance is necessary, but if customers do not like the natural greying process of wood exposed to the sun, this can be reduced by the application of **Osmo WR base coat** at the end of each summer season.

Apply as per Osmo's stated instructions.

Inside Use:

Inside, Iroko slats do not require maintenance unless damaged.

If damaged sand the area and apply **Osmo WR Base Coat Clear** as per Osmo's stated instructions.

POWDER-COAT ALUMINIUM (FRAME)

CLEANING

Routine:

Non-abrasive damp cloth and mild detergent.

DO NOT USE GRANULAR CLEANING MATERIAL OR BLEACH / ACIDS.

Scuffs and Scrape Marks:

Can be removed with products like Big Wipes
- bigwipes.com.

MAINTENANCE

General:

No maintenance required unless damaged.

Damage:

Chips to paint can be touched up with external quality paint of the correct RAL number from Martin Brown Paints - martinbrownpaints.com.