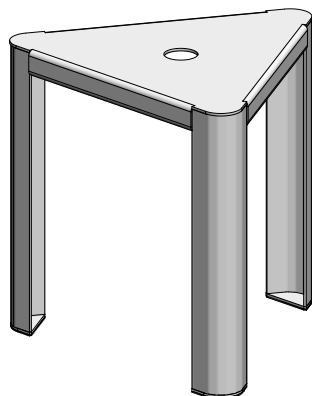
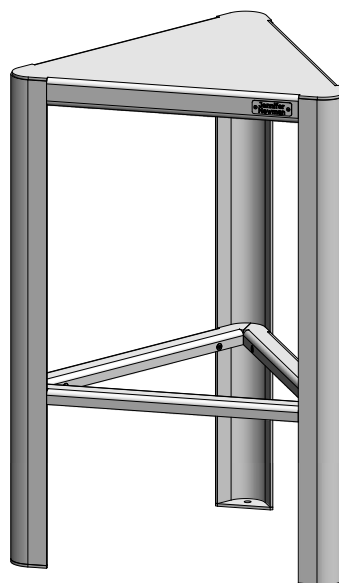


# Jennifer Newman | Triangle stool indoor/outdoor use

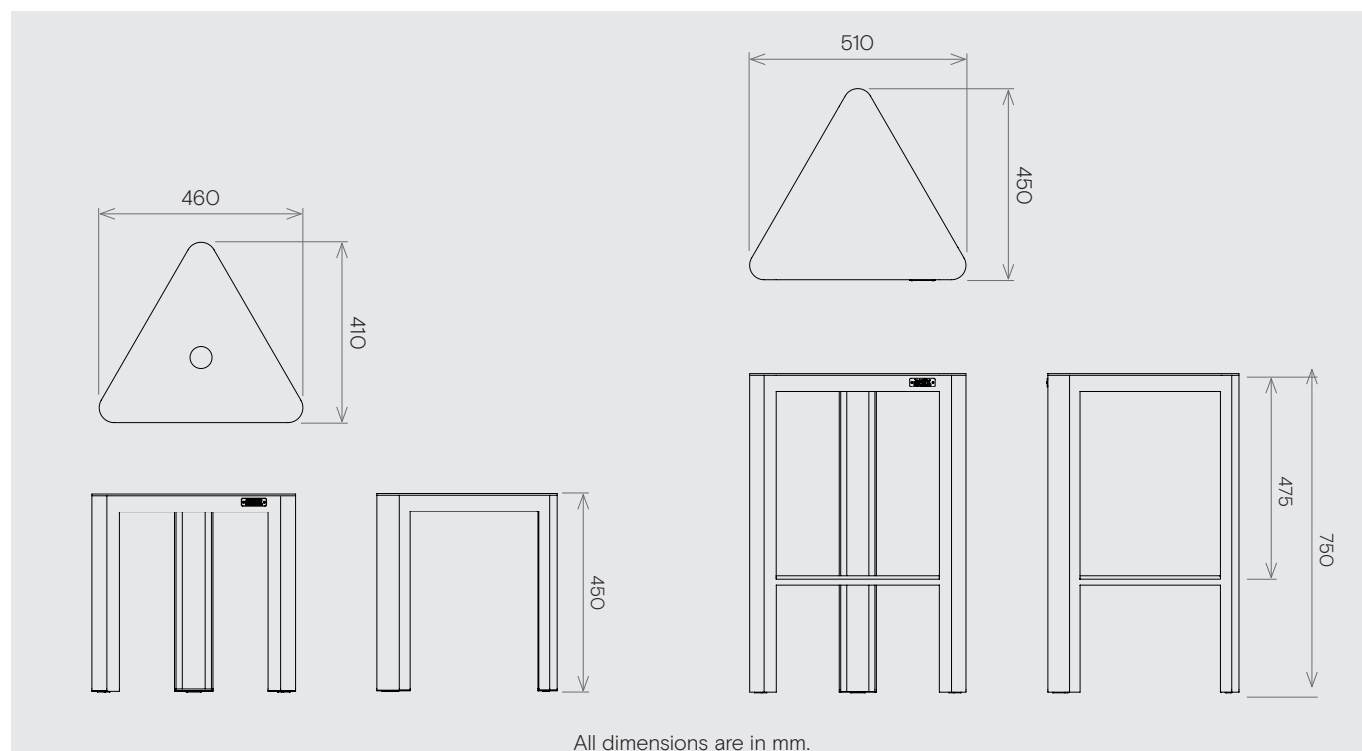
All-welded, no assembly required



**Stool**  
460w x 410d x 550h mm  
Weight 4 kg



**Bar stool**  
510w x 450d x 750h mm  
Weight 8 kg



## Fine texture powder-coat finish providing:

- High resistance to wear-and-tear
- Low-glare reflection
- Long life durability
- Ease of cleaning
- Low maintenance
- Anti-bacterial and Volatile-Organic-Compound free.

## Other benefits and features:

- Aluminium for long-life, will not rust.
- Tall stool weighted to resist tipping.
- 12 standard colours, others on request (see separate reference sheet).