

# ANGLE TABLE, BENCH & STOOL

Jennifer Newman

## Uses

Terraces - Canteens - Offices - Breakout Areas

## Key Features

- For outside and inside use
- Hand-made; rounded edges and corners
- Two styles of matching bench available
- Will not rust
- Lightweight
- Self levelling on uneven ground
- 5 year warranty

## Materials

ALUMINIUM

with polyester powder-coat, available in the following JN specially selected colours:

Gun Metal  
Pyrite 2525 Matt

Light Blue  
BS 18 C 35

Sable  
BS 04 B 21

Deep Cream  
BS 381 C 353

Bronze  
2525 Matt

Black  
RAL 9004

Oxide Red  
RAL 3009

## Optional Extras

- Bolt down holes in foot plates
- In-structure weights
- Any RAL Classic colours
- Bespoke Sizes

## Seating

- Angle Bench, Angle End Bench & Stool

## Environmental

- British manufacture
- FISP accredited
- 100% Recyclable
- Durable materials
- 86% Recycled aluminium
- Economical to re-paint

## Installation

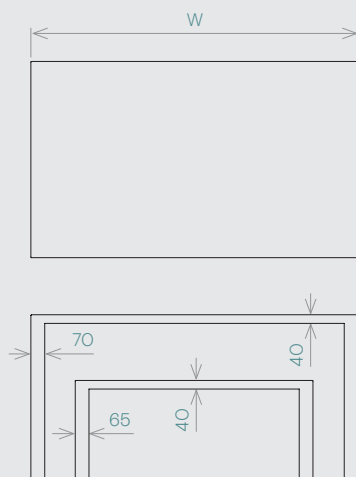
Check on access to ensure this one piece product can be installed without difficulty.



Product shown in colour : Saffron Yellow RAL 1017

## Dimensions & Weight

All dimensions in mm. Bespoke sizes are available on request.



### Table

W	D	H	kg
1800	900	750	26
2300	900	750	29

### Stool and Bench

W	D	H	kg
400	400	450	8
1500	400	450	10
2000	400	450	12

## Seating Arrangement

