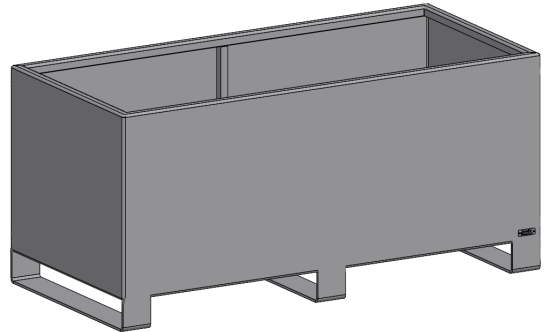
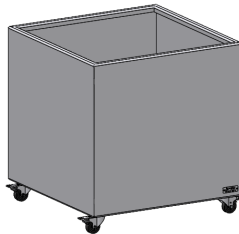
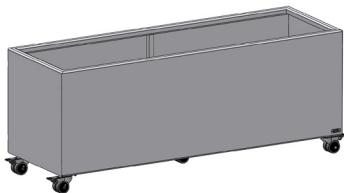


Jennifer Newman | **Box planter** indoor/outdoor use

400w x 400d x 470h mm

Weight 8 kg



1200w x 400d x 470h mm

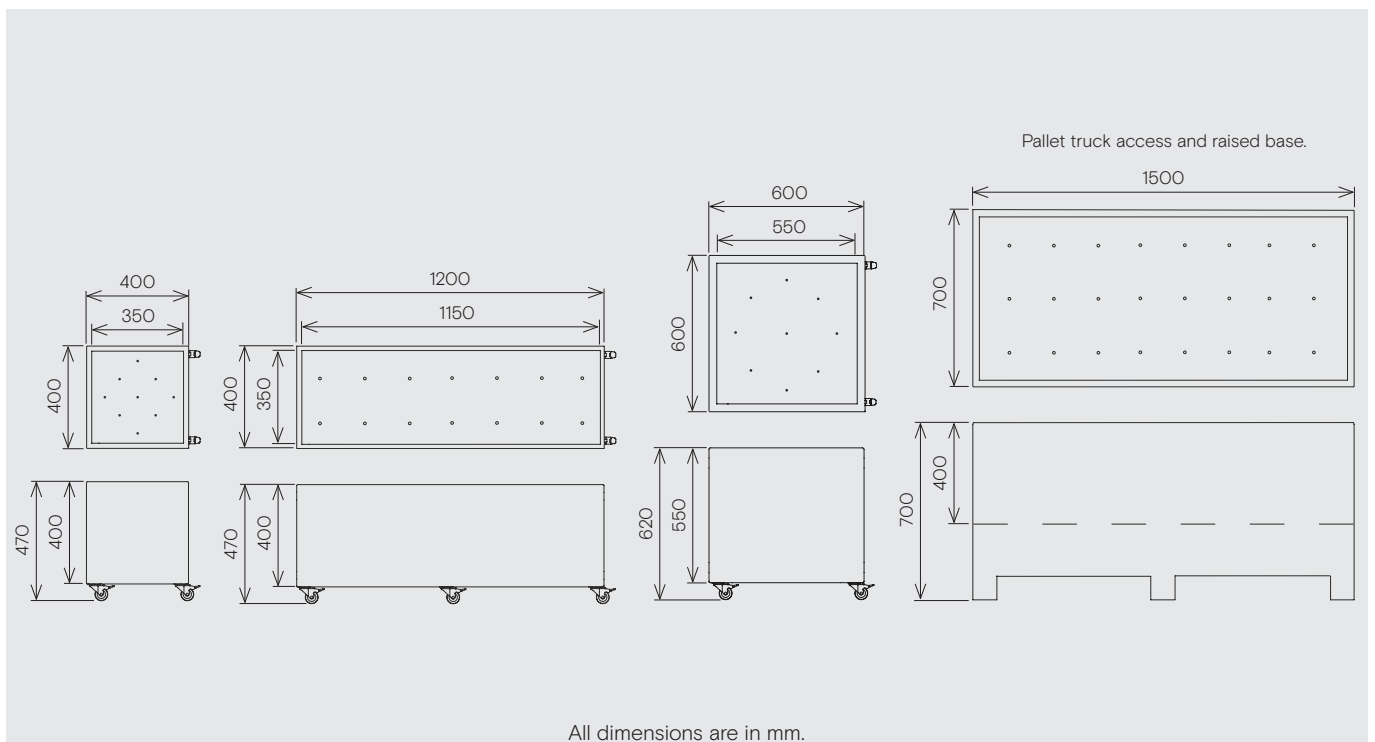
Weight 20 kg

600w x 600d x 620h mm

Weight 15 kg

1500w x 700d x 700h mm

Weight 60 kg



- Aluminium for long-life, will not rust.
- Satin powder-coat finish.
- Anti-bacterial and volatile-organic-compound (VOC) free.
- Minimal maintenance, easily cleaned.
- Lockable castors, or pallet truck access.
- Easy to move.
- Drainage holes as standard.
- Liners for indoor use not provided.
- 10 standard colours, others on request (see separate reference sheet).