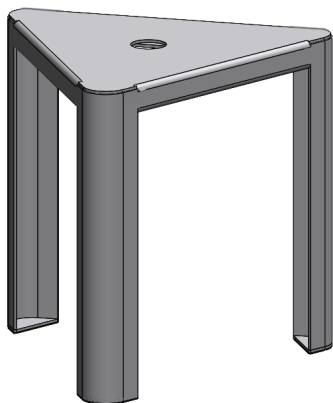
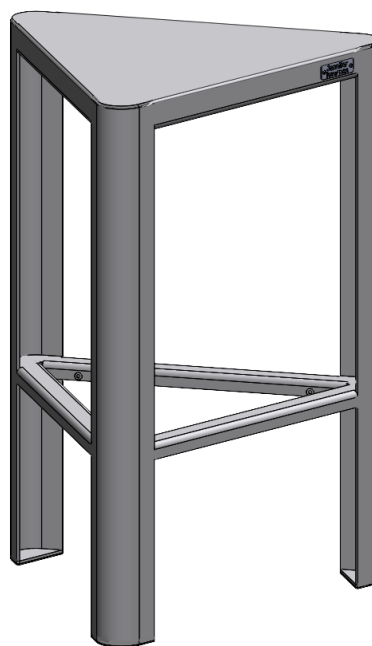


# Jennifer Newman | Triangle stool indoor/outdoor use

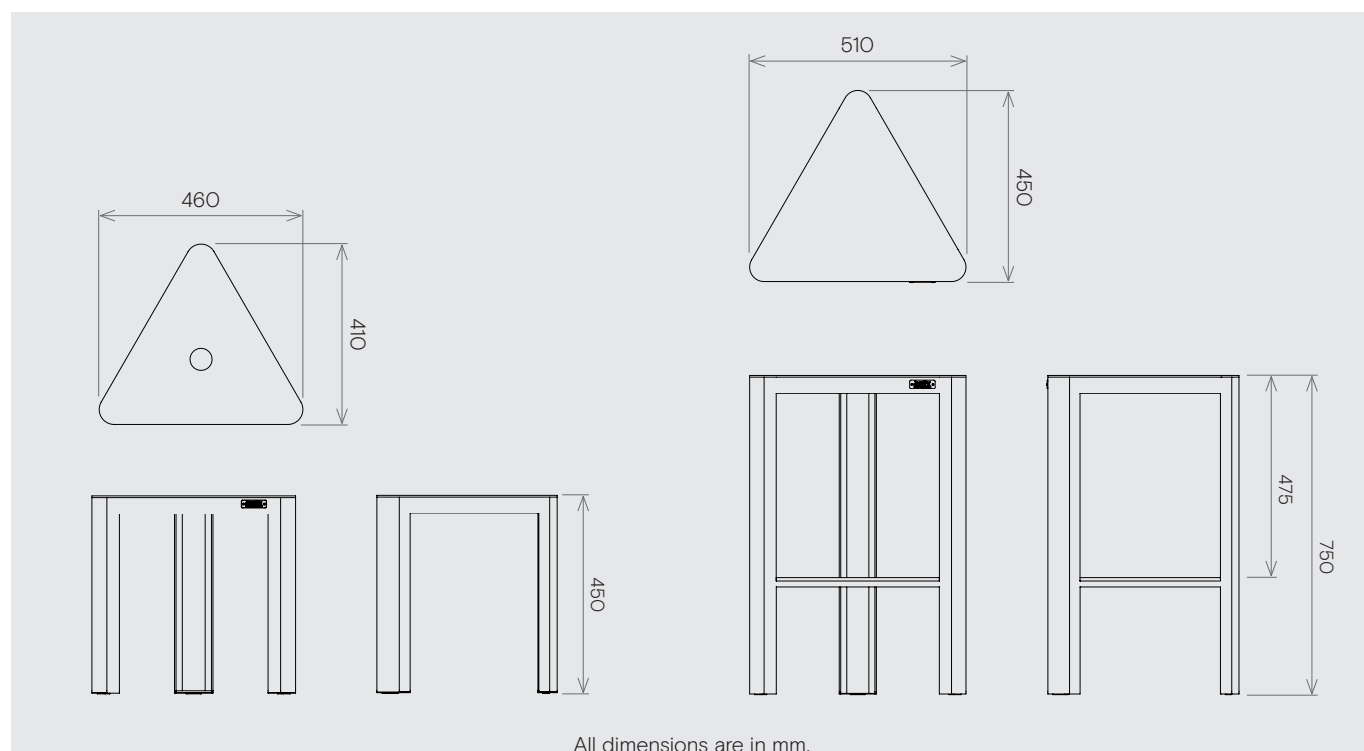
All-welded, no assembly required



**Stool**  
460w x 410d x 550h mm  
Weight 4 kg



**Tall stool**  
510w x 450d x 750h mm  
Weight 8 kg



- Aluminium for long-life, will not rust.
- Satin powder-coat finish.
- Anti-bacterial and volatile-organic-compound (VOC) free.
- Foot plate holes if needed to bolt down.
- Minimal maintenance, easily cleaned.
- 10 standard colours, others on request (see separate reference sheet).