

# EDGE BENCH

Jennifer Newman

## Uses

Offices – Terraces – Breakout – Canteens

## Key Features

- For outside and inside use
- Will not rust
- 5 year warranty

## Materials

### Outside Surface:

#### Solid Iroko Slats

Unfinished. Will turn silver grey when exposed to UV light

### Inside Surface:

FSC Birch ply with:

Clear lacquer

Light Pink

Tinted lacquer

Pine Green

Tinted lacquer

Pastel Blue

Tinted lacquer

Pastel Orange

Tinted lacquer

Light Ivory

Tinted lacquer

Traffic Red

Tinted lacquer

Black

Tinted lacquer

Agate Grey

Tinted lacquer

Cream

Tinted lacquer

### Frame:

Aluminium powder-coated in polyester, in the following standard colours:

RAL 3015

Polyester powder-coat

RAL 6028

Polyester powder-coat

RAL 5024

Polyester powder-coat

RAL 2003

Polyester powder-coat

RAL 1015

Polyester powder-coat

RAL 3020

Polyester powder-coat

RAL 9004

Polyester powder-coat

RAL 7038

Polyester powder-coat

RAL 9001

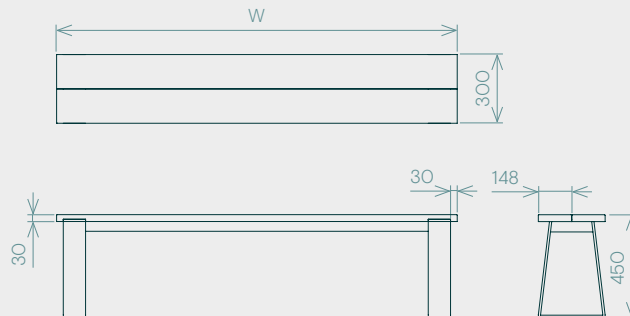
Polyester powder-coat



## Standard Dimensions & Weight

All dimensions in mm. Bespoke sizes are available on request.

W	D	H	Kg
1100	300	450	18
1400	300	450	20
1800	300	450	23



## Optional Extras

- Bolt down brackets
- Non-standard RAL colours
- Bespoke sizes
- Bespoke surfaces
- Laminate or veneer on birch plywood

## Alternative Seating

- Block End Bench

## Environmental

- British manufacture
- FISP accredited
- Durable materials
- 86% Recycled aluminium
- FSC timber

## Installation

Full assembly instructions inside fixing pack.

## Seating Arrangement

