

# DRUM PLANTER

Jennifer  
Newman

## Features:

Tough hard-wearing materials  
For inside & outside use  
Will not rust  
Lockable castors for easy moving  
Security ring  
Choice of three sizes  
Bespoke colours  
Handmade in our UK workshop  
5 year warranty

## Environmental:

British manufacture  
FISP accredited  
100% recyclable  
Durable materials  
86% recycled aluminium  
Economical to re-paint

## Installation:

If for inside use with living plants,  
a liner or container is required.

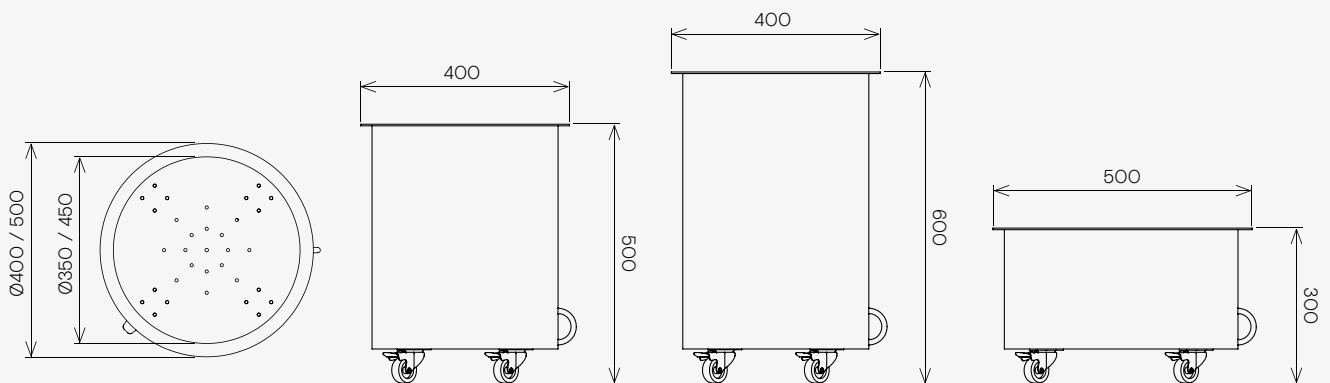


Powder-coated aluminium (Grey White RAL 9002, Stone Grey RAL 7030, Anthracite Grey RAL 7016)

## Dimensions & Weight

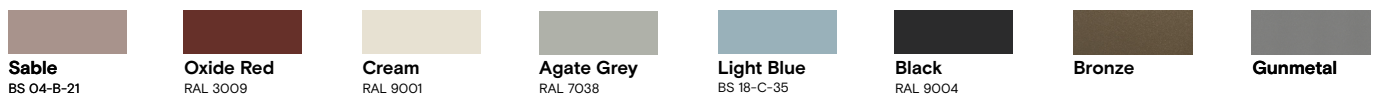
All dimensions in mm.

Dia	H	kg
400	500	8
400	600	9
500	300	7



## Powder-coated finishes (inside and outside)

lacquer sealed



email [info@jennifernewman.com](mailto:info@jennifernewman.com)

web [www.jennifernewman.com](http://www.jennifernewman.com)