

ALFRESCO BENCH

Jennifer Newman

Uses

Canteens - Office Breakout Areas

Key Features

- Tough, hard-wearing materials
- Easily accessed benches
- Wheelchair accessible
- Handmade in our workshop
- 5 year warranty

Materials

Frame

Brushed Stainless Steel
with a finger-print & stain resistant coating

Outside wood surface options

Natural Iroko Slats
Will turn silver grey when exposed to UV light.

Inside surface options:

- 30mm birch ply
- Tough lacquer finished
- Clear finish or tinted colour as below:

Outside metal surface options:

Stainless steel powder-coated in the following JN specially selected colours or any RAL Classic colours:

Agate Grey

Gun Metal
Pyrite 2525 Matt

Light Blue

Light Blue
BS 18 C 35

Sable

Sable
BS 04 B 21

Light Ivory

Deep Cream
BS 381 C 353

Beige Grey

Bronze
2525 Matt

Black

Black
RAL 9004

Oxide Red

Oxide Red
RAL 3009

Optional Extras

- Bespoke sizes
- Bolt down lugs
- Parasol hole

Environmental

- British manufacture
- FISP accredited
- Demountable for re-use or recycling
- 60% Recycled stainless steel

Installation

Delivered disassembled

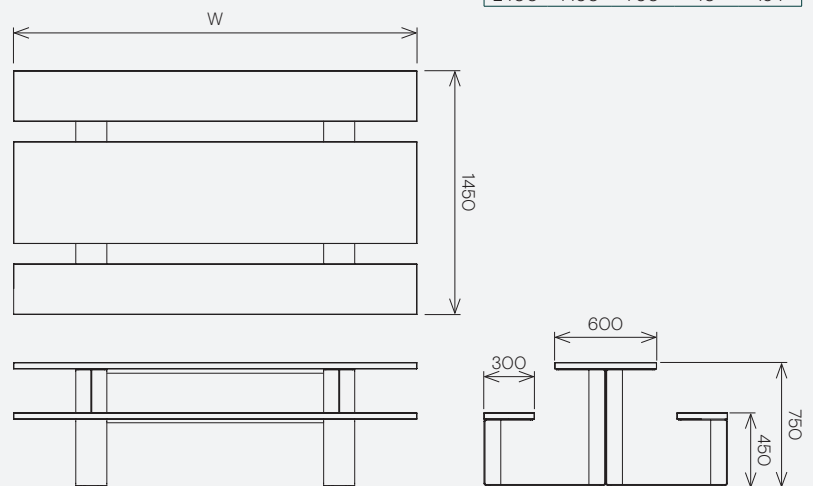
Full assembly instructions provided in fixing pack.



Dimensions & Weight

All dimensions in mm. Bespoke sizes are available on request.

W	D	H	Seats	kg
2000	1450	750	8	172
2400	1450	750	10	184



Wheelchair Options

