

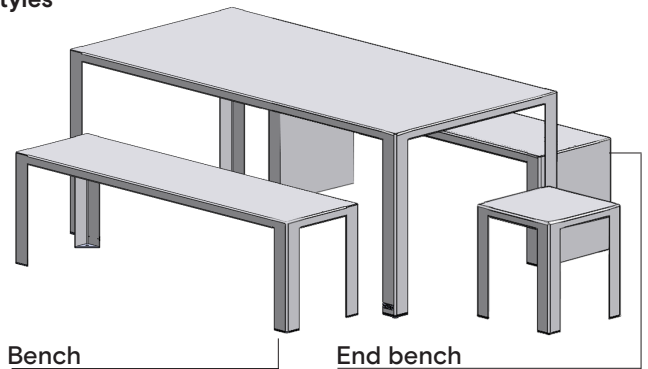
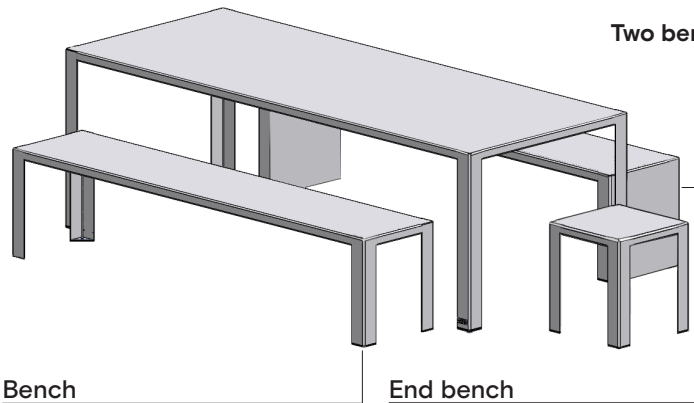
Jennifer Newman | Angle table, bench, end bench and stool indoor/outdoor use

All-welded, no assembly required

Table (seats 10 including stools)
2300w x 900d x 750h mm
Weight 30 kg

Table (seats 8 including stools)
1800w x 900d x 750h mm
Weight 25 kg

Two bench styles



Bench
2000w x 400d x 450h mm

End bench
2000w x 400d x 450h mm

Bench
1500w x 400d x 450h mm

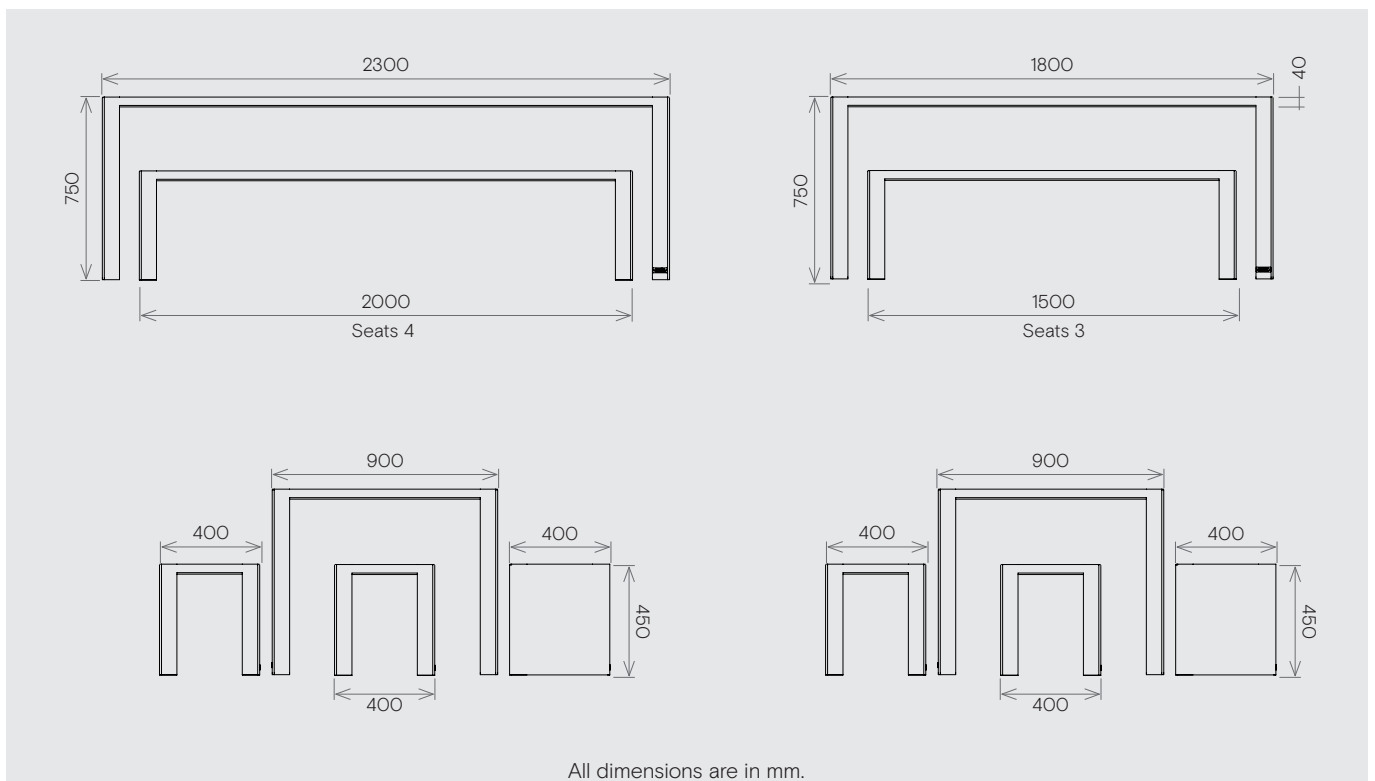
End bench
1500w x 400d x 450h mm

Weight 15 kg

Weight 17 kg

Weight 10 kg

Weight 12 kg



- Aluminium for long-life, will not rust.
- Fine texture powder-coat resilient to wear and tear.
- Anti-bacterial and volatile-organic-compound (VOC) free.
- Parasol hole option (50mm dia).
- Low-glare surface reflection.
- Foot plate holes if needed to bolt down.
- Minimal maintenance, easily cleaned.
- 10 standard colours, others on request (see separate reference sheet).