

BLOCK BENCH

Jennifer Newman

Uses

Terraces – Canteens – Breakout Areas – Office

Key Features

- For outside and inside use
- Will not rust
- 5 year warranty

Materials

Outside Surface:

Solid Iroko Slats
Unfinished. Will turn silver grey when exposed to UV light

Inside Surface:

FSC Birch ply with:

Clear lacquer

Frame:

Aluminium powder-coated in polyester, in the following standard colours:

Light Pink
Tinted lacquer

RAL 3015
Polyester powder-coat

Pine Green
Tinted lacquer

RAL 6028
Polyester powder-coat

Pastel Blue
Tinted lacquer

RAL 5024
Polyester powder-coat

Pastel Orange
Tinted lacquer

RAL 2003
Polyester powder-coat

Light Ivory
Tinted lacquer

RAL 1015
Polyester powder-coat

Traffic Red
Tinted lacquer

RAL 3020
Polyester powder-coat

Black
Tinted lacquer

RAL 9004
Polyester powder-coat

Agate Grey
Tinted lacquer

RAL 7038
Polyester powder-coat

Cream
Tinted lacquer

RAL 9001
Polyester powder-coat

Optional Extras

- Bolt down brackets
- Non-standard RAL colours
- Bespoke sizes
- Laminate or veneer on birch plywood

Alternative seating

- Block End Bench

Environmental

- British manufacture
- FISP accredited
- Durable materials; easily maintained and recycled
- 86% Recycled aluminium

Installation

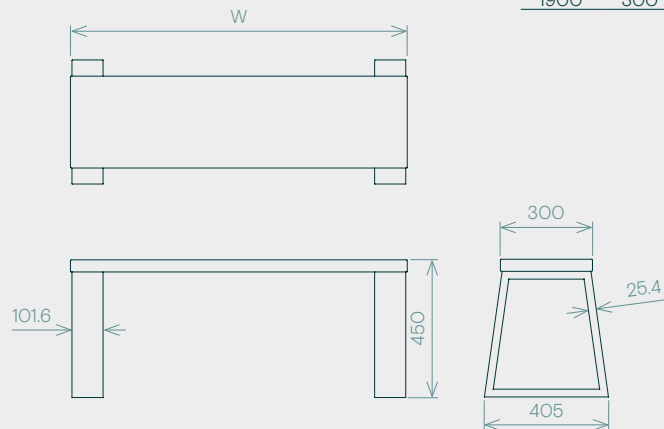
Full assembly instructions inside fixing pack.



Standard Dimensions & Weight

All dimensions in mm. Bespoke sizes are available on request.

W	D	H	kg
1100	300	450	14
1600	300	450	18
1900	300	450	20



Seating Arrangement

