

STUDIO TABLE

Jennifer
Newman

Features:

- Tough hard-wearing materials
- Industrial castors with brakes
- In-leg power and data
- Removable leg panels (concealing cables)
- Bespoke colours
- Handmade in our UK workshop
- 5 year warranty

Environmental:

- British manufacture
- FISP accredited
- FSC accredited
- Durable materials
- 86% recycled steel

Installation:

- Delivered disassembled.
- Full assembly instructions provided.



Birch ply surface. Steel legs Gunmetal.

Power & Data with tidy in-leg cable management

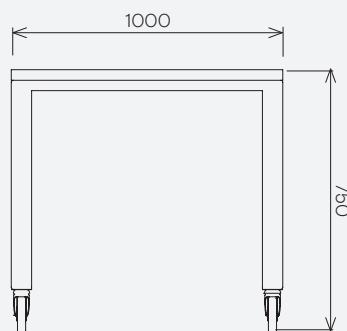
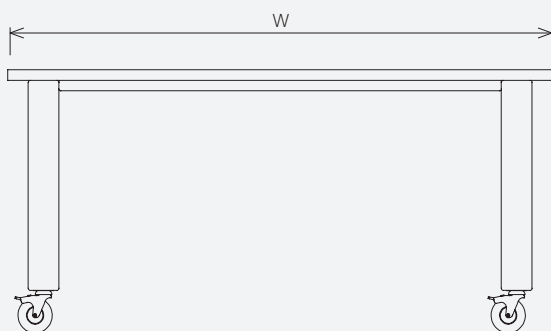
- Consisting of 4 modules, 1 placed on each leg:
- 2 x UK Sockets

Dimensions & Weight

All dimensions in mm.

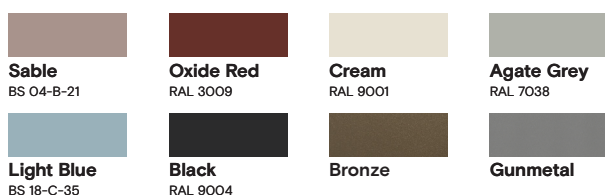
Two standard size options.

W	D	H	kg
1900	1000	750	74
2400	1000	750	96



Legs (inside only) Powder-coated finishes

lacquer sealed



Surfaces (inside only) Birch ply

lacquer sealed

