

EDGE TABLE

Jennifer Newman

Uses

Offices - Terraces - Breakout - Canteens

Key Features

- For outside and inside use
- Wheelchair friendly
- Will not rust
- 5 year warranty

Materials

Outside Surface:

Solid Iroko Slats
Unfinished. Will turn silver grey when exposed to UV light

Inside Surface:

FSC Birch ply with:

Clear lacquer

Light Pink

Tinted lacquer

Pine Green

Tinted lacquer

Pastel Blue

Tinted lacquer

Pastel Orange

Tinted lacquer

Light Ivory

Tinted lacquer

Traffic Red

Tinted lacquer

Black

Tinted lacquer

Agate Grey

Tinted lacquer

Cream

Tinted lacquer

Frame:

Aluminium powder-coated in polyester, in the following standard colours:

RAL 3015

Polyester powder-coat

RAL 6028

Polyester powder-coat

RAL 5024

Polyester powder-coat

RAL 2003

Polyester powder-coat

RAL 1015

Polyester powder-coat

RAL 3020

Polyester powder-coat

RAL 9004

Polyester powder-coat

RAL 7038

Polyester powder-coat

RAL 9001

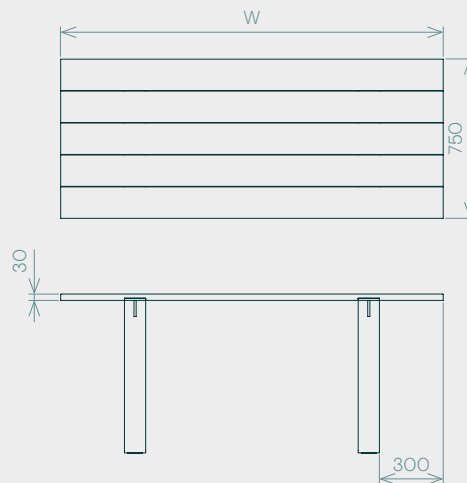
Polyester powder-coat



Standard Dimensions & Weight

All dimensions in mm. Bespoke sizes are available on request.

W	D	H	kg
1800	750	750	45
2400	750	750	54
3000	750	750	63



Optional Extras

- Power & data with in leg cable management (not for outside use)
- Bolt down brackets
- Non-standard RAL colours
- Bespoke sizes & surfaces
- Laminate or veneer on birch plywood
- Parasol hole

Seating

- Edge Bench - shown in photograph
- Block End Bench

Environmental

- British manufacture
- FISP accredited
- 86% Recycled aluminium
- FSC timber

Seating Arrangement

