

BLOCK END BENCH

Jennifer Newman

Uses

Terraces - Canteens - Breakout Areas - Office

Key Features

- For outside and inside use
- Hand-made with rounded edges and corners.
- Will not rust
- 5 year warranty

Materials

Aluminium with polyester powder-coat in the following standard colours:

Powder-coat is finished with a clear lacquer top coat.

Light Pink – RAL 3015

Polyester powder-coat

Pine Green – RAL 6028

Polyester powder-coat

Pastel Blue – RAL 5024

Polyester powder-coat

Pastel Orange – RAL 2003

Polyester powder-coat

Light Ivory – RAL 1015

Polyester powder-coat

Traffic Red – RAL 3020

Polyester powder-coat

Black – RAL 9004

Polyester powder-coat

Agate Grey – RAL 7038

Polyester powder-coat

Cream – RAL 9001

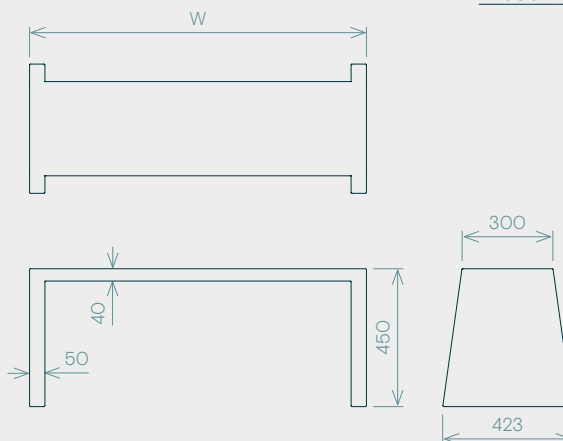
Polyester powder-coat



Standard Dimensions & Weight

All dimensions in mm. Bespoke sizes are available on request.

W	D	H	kg
1100	300	450	12
1600	300	450	14
1900	300	450	16



Optional Extras

- Bolt down brackets
- Non-standard RAL colours
- Bespoke sizes

Alternative Seating

- Block Bench
- Cube Stool

Environmental

- British manufacture
- FISP accredited
- 100% Recyclable
- Durable materials
- 86% Recycled aluminium
- Economical to re-paint

Seating Arrangement

