

TRESTLE TABLE

Jennifer Newman

Uses

Studios - Workshops - Universities - Office
Breakout Areas - Meeting Rooms

Key Features

- For inside use
- Demountable, legs can be stacked
- Variable leg positions - see drawing
- 5 year warranty

Materials

Surface:

FSC Birch ply with:

Clear lacquer

Or a tinted lacquer, in the following standard colours:

Light Pink
Tinted lacquer

Pine Green
Tinted lacquer

Pastel Blue
Tinted lacquer

Pastel Orange
Tinted lacquer

Light Ivory
Tinted lacquer

Traffic Red
Tinted lacquer

Black
Tinted lacquer

Agate Grey
Tinted lacquer

Cream
Tinted lacquer

Frame:

Steel with:

Gun Metal
Pyrite 2525 Matt

Or a polyester powder-coat, in the following standard colours:

RAL 3015
Polyester powder-coat

RAL 6028
Polyester powder-coat

RAL 5024
Polyester powder-coat

RAL 2003
Polyester powder-coat

RAL 1015
Polyester powder-coat

RAL 3020
Polyester powder-coat

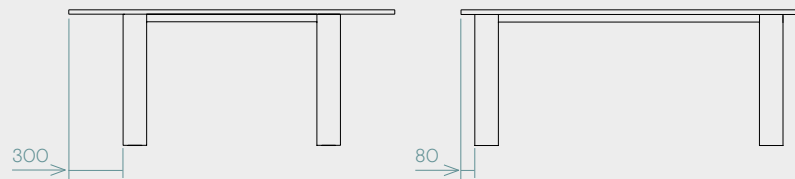
RAL 9004
Polyester powder-coat

RAL 7038
Polyester powder-coat

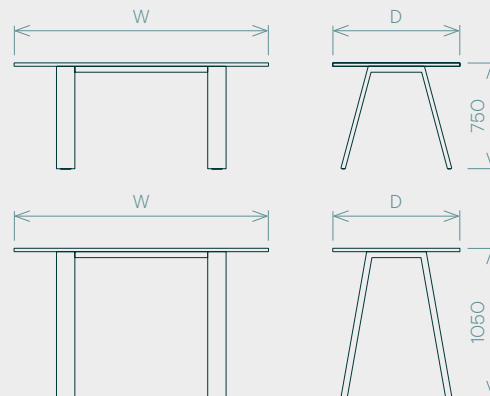
RAL 9001
Polyester powder-coat



Leg Position Options



Standard Dimensions & Weight

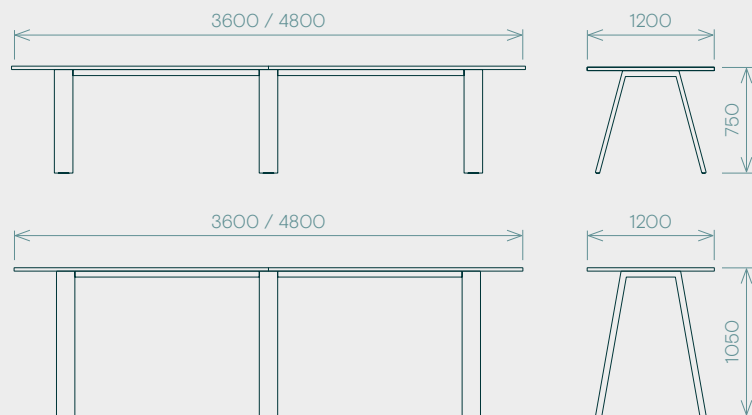


All dimensions in mm. Bespoke sizes are available on request.

W	D	H	kg
1800	900	750	55
2400	900	750	67
3000	900	750	79
3000	1200	750	98
3600	1200	750	116
4800	1200	750	146

1800	900	1050	71
2400	900	1050	82
3000	900	1050	94
3000	1200	1050	112
3600	1200	1050	131
4800	1200	1050	161

NB: 3600 & 4800 width consists of two surfaces with three legs.



Optional Extras

Zinc coated steel with a clear lacquer

Features marks from manufacturing process

- Power and data with in-leg cable management
- Laminate or veneer on birch plywood
- Non-standard RAL colours

Environmental

- British manufacture
- FISP accredited
- Ply from FSC sources
- 86% Recycled steel

Installation

Full assembly instructions inside fixing pack.