

# LINEAR TABLE AND BENCH

Jennifer Newman

## Materials:

Polyester powder-coated aluminium.

## Optional Extras:

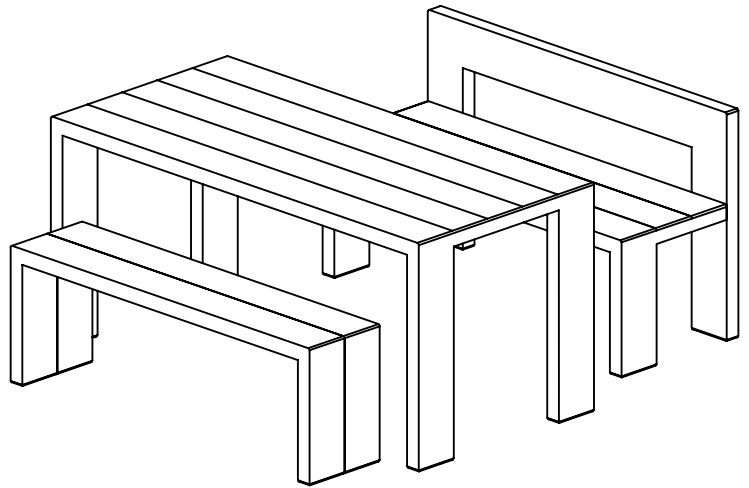
Non-standard colours  
In-frame weighting

## Warranty:

5 years provided that products are cleaned and maintained in accordance with our advice and have not been misused.

## Assembly:

Assembly is not required for this product.  
Check access to ensure this one piece product can be installed without difficulty.  
Please be careful when removing wrapping to avoid sharp implements damaging the surface.

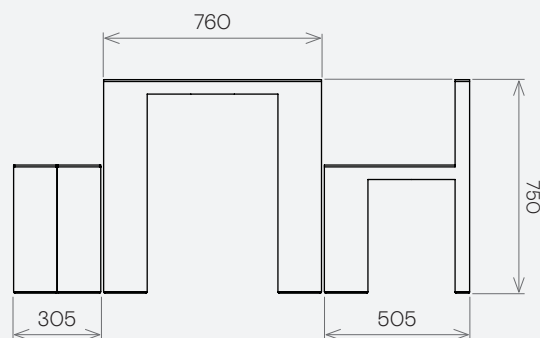
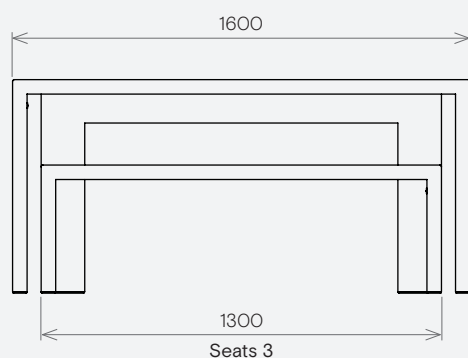


## Dimensions & Weight

All dimensions in mm.

W	D	H	kg
Table			
1600	760	750	40

W	D	H	kg
Bench			
1300	305	450	20
1300	505	450	26



## Powder-coating standard colours

lacquer sealed



**Sable**  
BS 04-B-21



**Oxide Red**  
RAL 3009



**Cream**  
RAL 9001



**Agate Grey**  
RAL 7038



**Light Blue**  
BS 18-C-35



**Black**  
RAL 9004



**Bronze**



**Gunmetal**