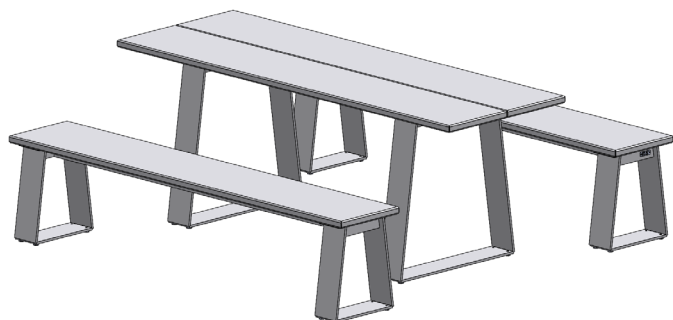


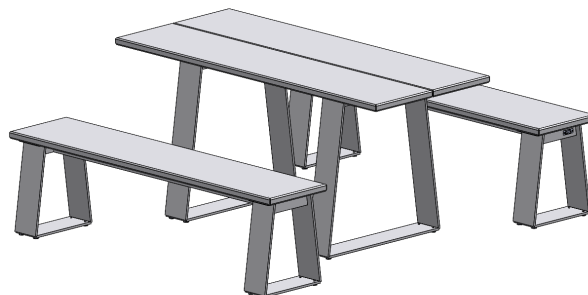
# Jennifer Newman | Edge table, bench indoor/outdoor use

Simple, quick assembly



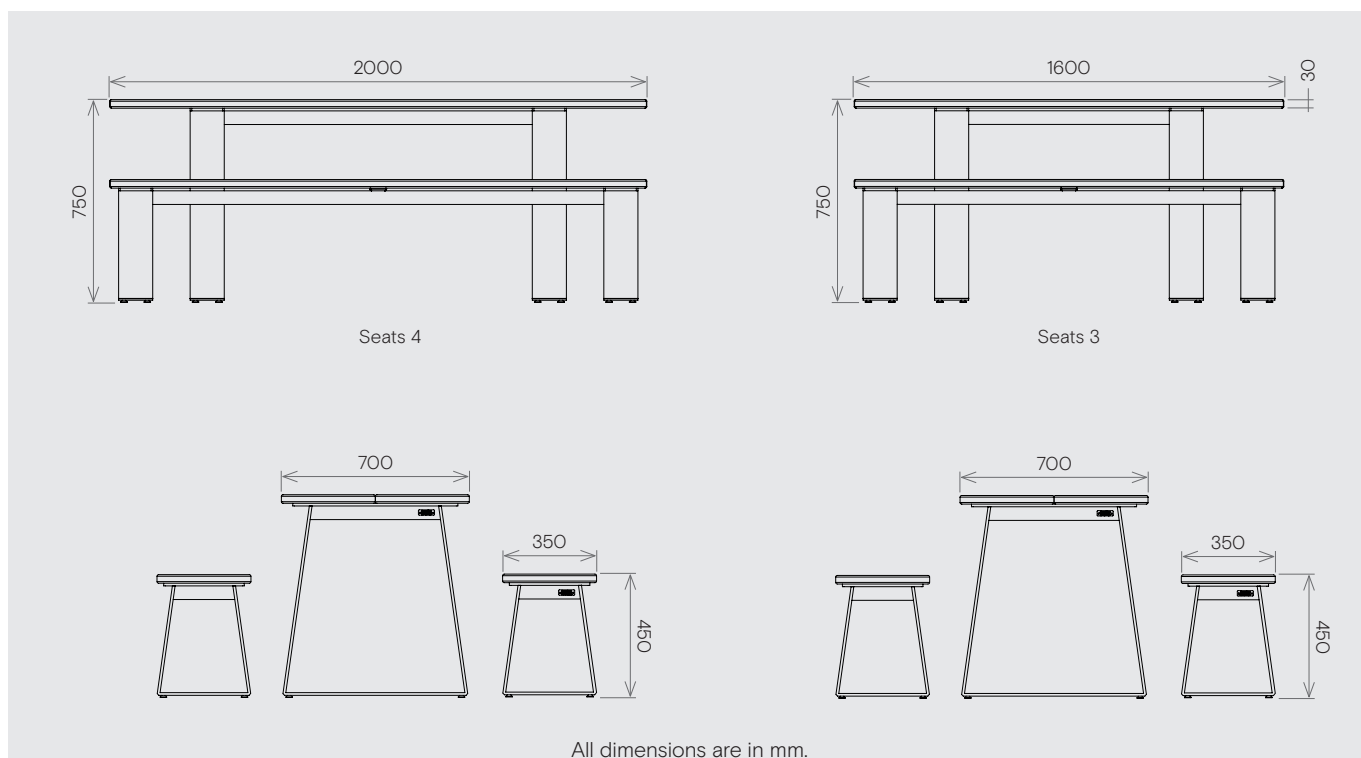
**Table (seats 8)**  
2000w x 700d x 750h mm  
Weight 50 kg

**Bench**  
2000w x 350d x 450h mm  
Weight 25 kg



**Table (seats 6)**  
1600w x 700d x 750h mm  
Weight 40 kg

**Bench**  
1600w x 350d x 450h mm  
Weight 20 kg



Fine texture powder-coat finish, which provides:

- High resistance to wear-and-tear
- Low-glare reflection
- Long life durability
- Ease of cleaning
- Low maintenance
- Anti-bacterial and Volatile-Organic-Compound free.

- Aluminium for long-life, will not rust.
- Bolt-down brackets available.
- 10 standard colours, others on request (see separate reference sheet).