

Jennifer Newman | Edge table, bench indoor/outdoor use

Simple, quick assembly

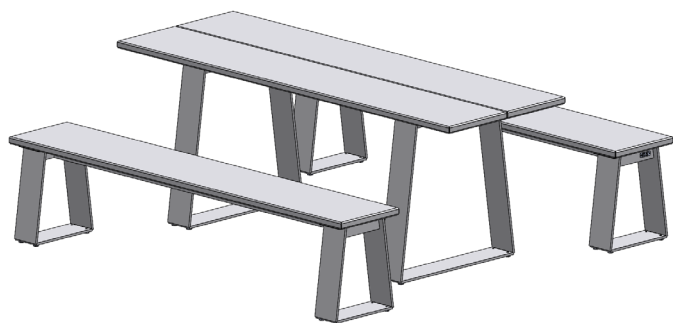


Table (seats 8)
2000w x 700d x 750h mm
Weight 50 kg

Bench
2000w x 350d x 450h mm
Weight 25 kg

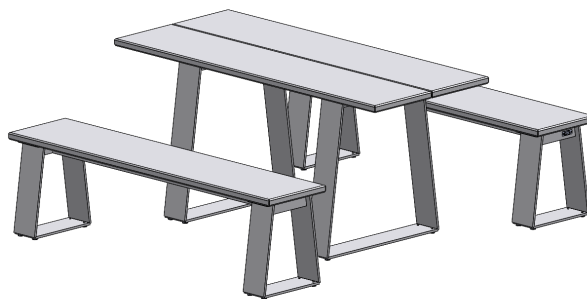
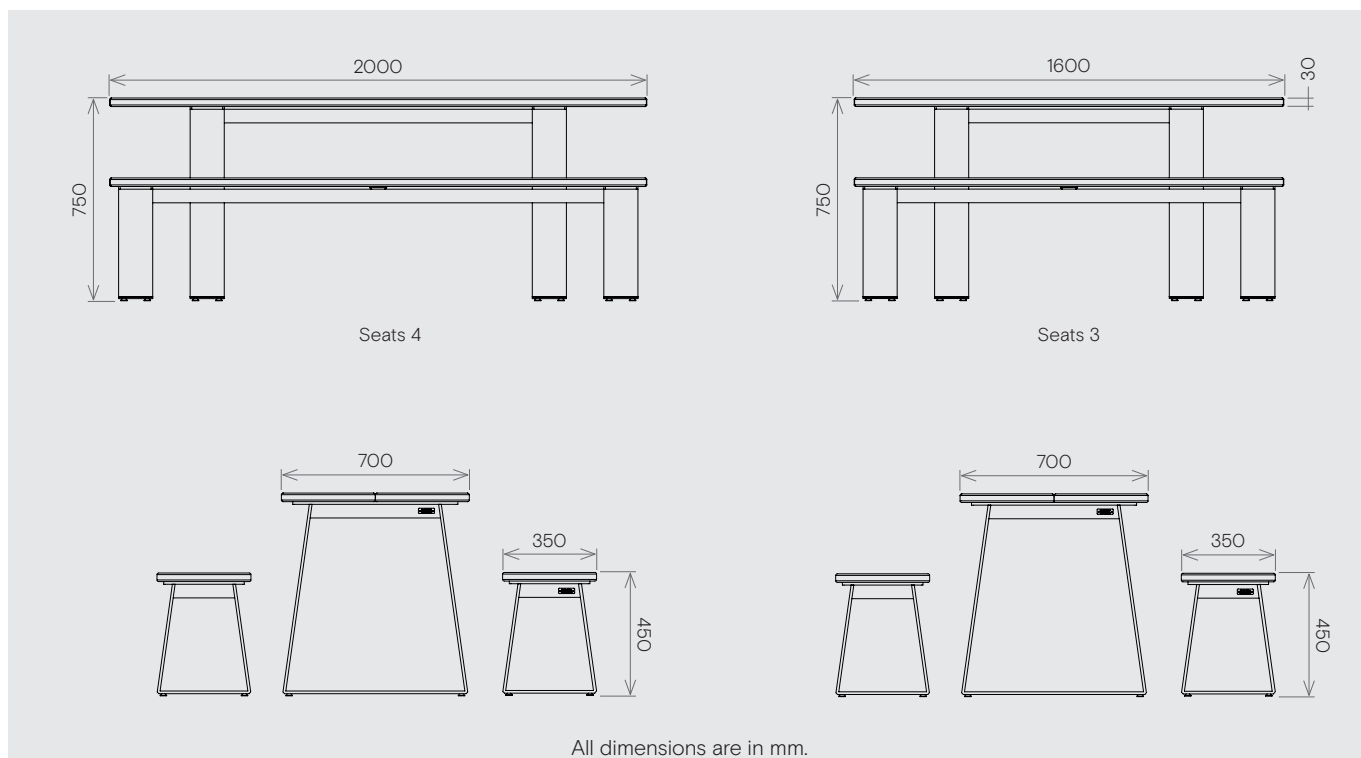


Table (seats 6)
1600w x 700d x 750h mm
Weight 40 kg

Bench
1600w x 350d x 450h mm
Weight 20 kg



- Aluminium for long-life, will not rust.
- Fine texture powder-coat resilient to wear and tear.
- Anti-bacterial and volatile-organic-compound (VOC) free.
- Low-glare surface reflection.
- Bolt-down brackets available.
- Minimal maintenance, easily cleaned.
- 10 standard colours, others on request (see separate reference sheet).