

Features:

- Tough hard-wearing materials
- Lockable castors for easy moving
- Fixed position shelves
- For inside use only
- Bespoke colours
- Handmade in our UK workshop
- 5 year warranty

Environmental:

- British manufacture
- FISP accredited
- 100% recyclable
- Durable materials
- 86% recycled steel
- Economical to re-paint

Installation:

Delivered assembled.

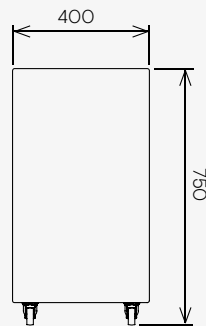
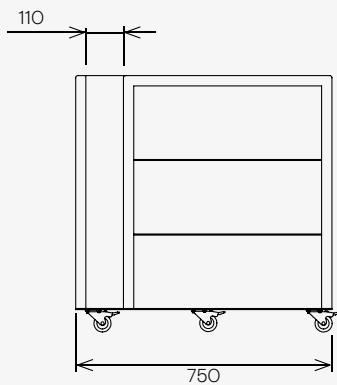


Powder-coated steel (Traffic Yellow, RAL 1023)

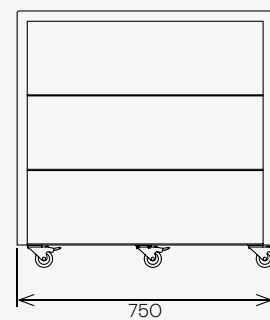
Dimensions & Weight

All dimensions in mm.

W	D	H	kg
750	400	750	65



Available without portfolio section



Powder-coated finishes (inside only)

lacquer sealed

