

# CLUB TABLE & BENCH

Jennifer Newman

## Uses

Breakout Areas - Dining - Canteens - Offices

## Key Features

- Robust surface and frame
- For inside use only
- Handmade in our workshop
- 5 year warranty

## Materials

### Surface:

- 30mm birch ply
- Tough lacquer finished
- Clear finish or tinted colour as below:

### Frame:

Heavy duty steel powdercoated in the following JN specially selected colours or any RAL Classic colours

Agate Grey

Gun Metal  
Pyrite 2525 Matt

Light Blue

Light Blue  
BS 18 C 35

Sable

Sable  
BS 04 B 21

Light Ivory

Deep Cream  
BS 381 C 353

Beige Grey

Bronze  
2525 Matt

Black

Black  
RAL 9004

Oxide Red

Oxide Red  
RAL 3009

## Optional Extras

- Bespoke sizes
- Laminate or veneer on birch plywood
- Power & data - mounted in table surface

## Seating

- Club Bench

## Environmental

- British manufacture
- FISP accredited
- Durable materials
- 86% Recycled steel

## Installation

Delivered disassembled

Full assembly instructions inside fixing pack.



Product shown in colour : White RAL 9010

## Dimensions & Weight

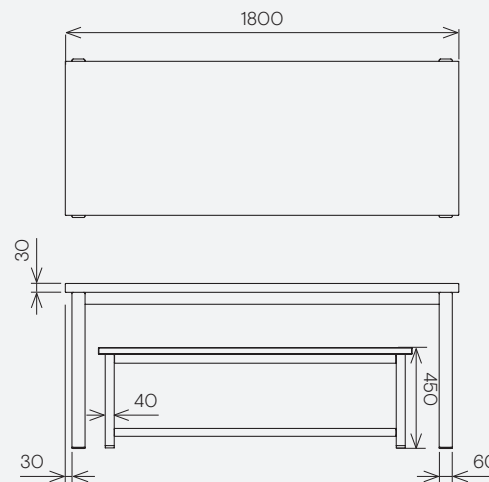
All dimensions in mm. Bespoke sizes are available on request.

### Table

W	D	H	kg
1800	900	750	78

### Bench

W	D	H	kg
1500	350	450	29



## Seating Arrangement

