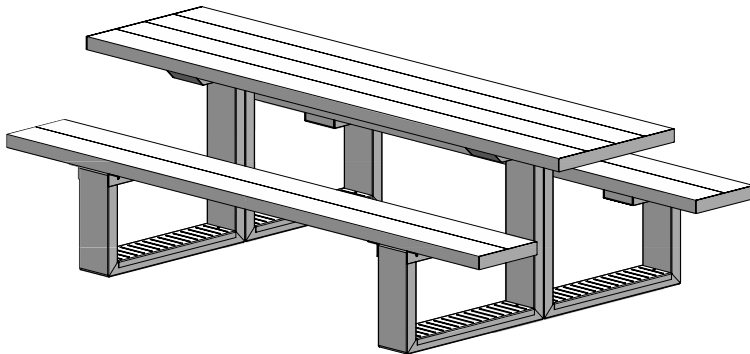


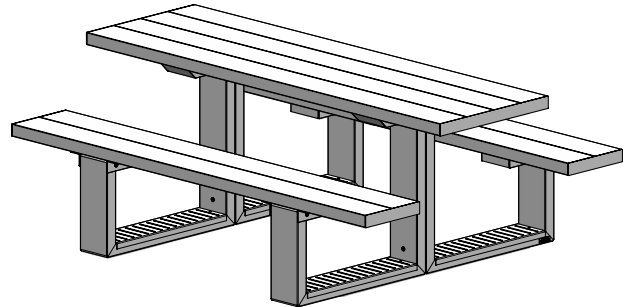
# Jennifer Newman | Alfresco Bench

indoor/outdoor use

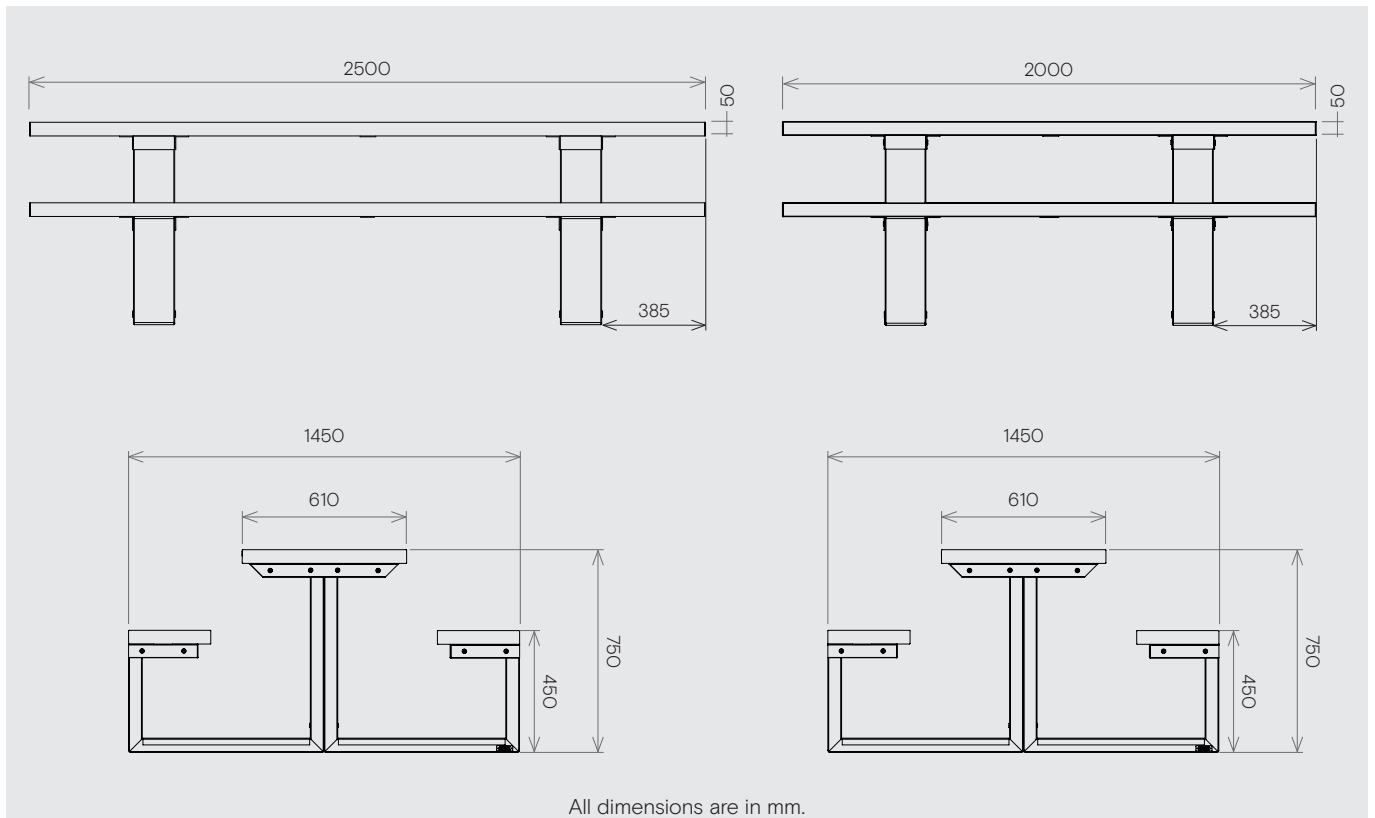
Simple, quick assembly.



**Seats 10**  
2500w x 1450d x 750h mm  
**Weight 140 kg**



**Seat 8**  
2000w x 1450d x 750h mm  
**Weight 120 kg**



All dimensions are in mm.

## Fine texture powder-coat finish to aluminium providing:

- High resistance to wear-and-tear
- Low-glare reflection
- Long life durability
- Ease of cleaning
- Low maintenance
- Anti-bacterial and Volatile-Organic-Compound free.

## Other benefits and features:

- Aluminium for long-life, will not rust.
- Brushed aluminium footplates.
- Withstands wind in exposed conditions.
- Wheelchair access at each end.
- Parasol hole option (50mm dia).
- 12 standard colours, others on request (see separate reference sheet).