

Features:

- Tough hard-wearing materials
- For inside & outside use
- Will not rust
- Lockable castors or pallet truck access
- Easy to move
- Choice of three standard sizes
- Bespoke colours and sizes
- Handmade in our UK workshop
- 5 year warranty

Environmental:

- British manufacture
- FISP accredited
- 100% recyclable
- Durable materials
- 86% recycled aluminium
- Economical to re-paint

Installation:

If for inside use with living plants, a liner or container is required.



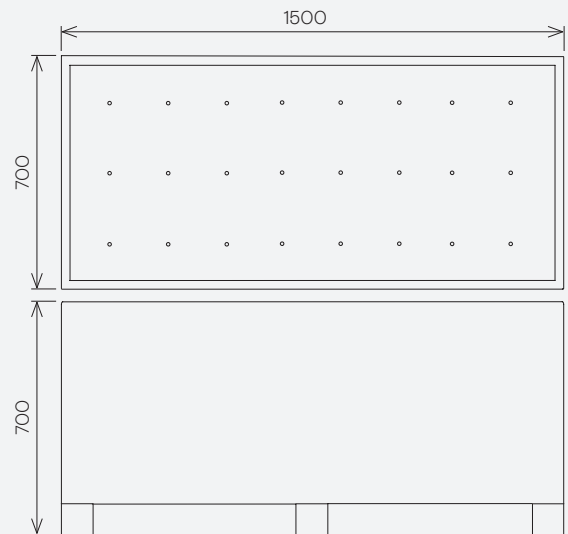
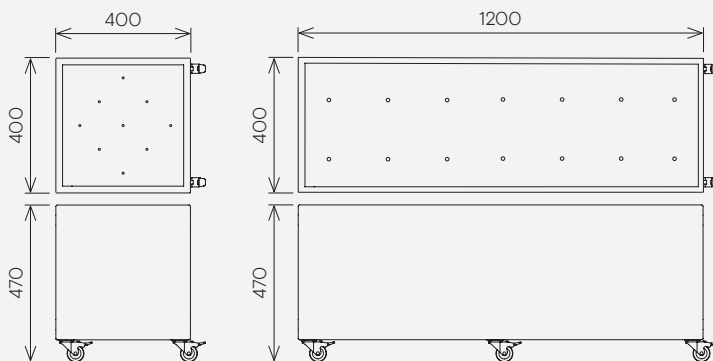
Powder-coated aluminium (Pastel Turquoise RAL 6034 and Bright Red Orange RAL 2008)

Dimensions & Weight

All dimensions in mm.

W	D	H	kg
400	400	470	6
1200	400	470	15
1500	700	700	50

No castors. Pallet truck access.



Powder-coated finishes (inside and outside)

lacquer sealed

