

# CLUB-STRIPE TABLE

Jennifer Newman

## Uses

Breakout Areas - Dining - Canteens - Offices

## Key Features

- Fully customisable stripe widths and colour combinations
- Robust surface and frame
- For inside use only
- 5 year warranty

## Materials

### Surface:

FSC Birch ply with machined groves to allow a combination of clear or tinted lacquers, available in the following JN standard colours:

### Frame:

Steel with polyester powder-coat, available in the following JN standard colours:

Clear lacquer	Gun Metal Pyrite 2525 Matt
Light Pink	RAL 3015
Pine Green	RAL 6028
Pastel Blue	RAL 5024
Pastel Orange	RAL 2003
Light Ivory	RAL 1015
Traffic Red	RAL 3020
Black	RAL 9004
Agate Grey	RAL 7038
Cream	RAL 9001
White	RAL 9010

## Optional Extras

- Non-standard RAL colours
- Bespoke sizes
- Power & data - mounted in table surface

## Seating

- Club Bench & Club Stool

## Environmental

- British manufacture
- FISP accredited
- Durable materials
- 86% Recycled steel
- Plywood from FSC source

## Installation

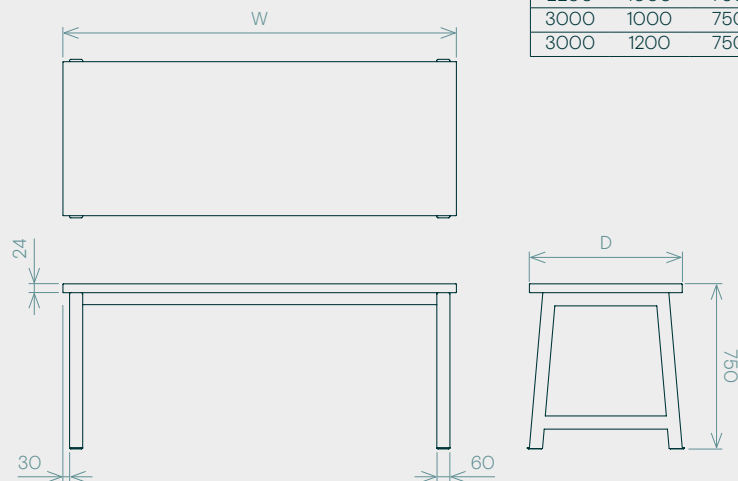
Full assembly instructions inside fixing pack.



## Dimensions & Weight

All dimensions in mm. Bespoke sizes are available on request.

W	D	H	kg
1800	1000	750	82
2200	1000	750	98
3000	1000	750	120
3000	1200	750	128



## Seating Arrangement

