

BLOCK END BENCH

Jennifer Newman

Uses

Terraces – Canteens – Breakout Areas – Office

Key Features

- For outside and inside use
- Hand-made; rounded edges and corners
- Will not rust
- 5 year warranty

Materials

Aluminium with polyester powder-coat, available in the following JN standard colours:

Light Pink – RAL 3015

Pine Green – RAL 6028

Pastel Blue – RAL 5024

Pastel Orange – RAL 2003

Light Ivory – RAL 1015

Traffic Red – RAL 3020

Black – RAL 9004

Gun Metal – Pyrite 2525 Matt

Agate Grey – RAL 7038

Cream – RAL 9001

White – RAL 9010

Optional Extras

- Bolt-down lugs or in-structure weights
- Non-standard RAL colours
- Bespoke sizes

Alternative Seating

- Block Bench
- Cube Stool

Environmental

- British manufacture
- FISP accredited
- 100% Recyclable
- Durable materials
- 86% Recycled aluminium
- Economical to re-paint

Installation

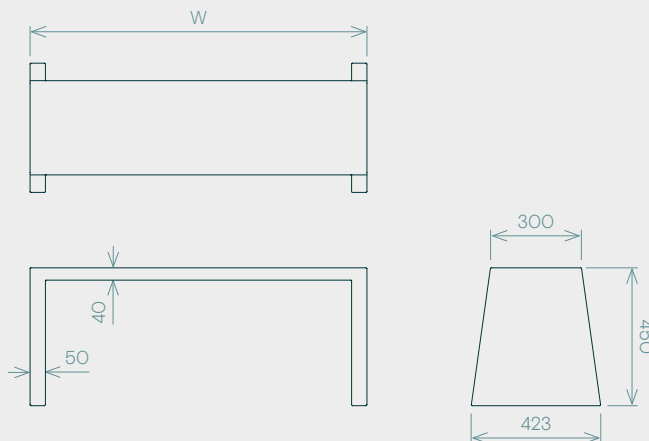
Check on access to ensure this one piece product can be installed without difficulty.



Dimensions & Weight

All dimensions in mm. Bespoke sizes are available on request.

| W | D | H | kg |
|------|-----|-----|----|
| 1100 | 300 | 450 | 12 |
| 1600 | 300 | 450 | 14 |
| 1900 | 300 | 450 | 16 |



Seating Arrangement

