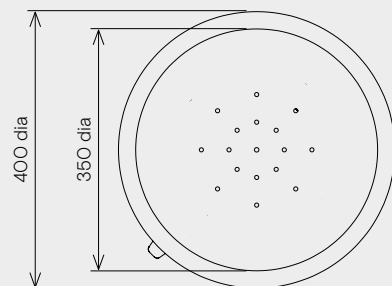
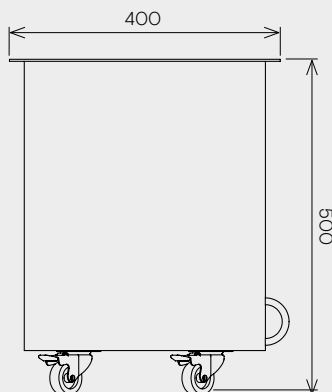


Jennifer Newman | **Drum planter** indoor/outdoor use



400dia x 500h mm

Weight 5 kg



All dimensions are in mm.

**Fine texture powder-coat finish providing:**

Aluminium for long-life, will not rust.  
Anti-bacterial and Volatile-Organic-Compound free.  
Minimal maintenance, easily cleaned.  
Lockable castors, or pallet truck access.

**Other benefits and features:**

Security hoop included.  
Lockable castors.  
Drainage holes as standard.  
Liners for indoor use **not** provided.  
Choice of RAL Classic colours  
others on request (see separate reference sheet).