

# TRIANGLE TABLE & STOOL

Jennifer Newman

## Features:

- Tough hard-wearing materials
- For inside & outside use
- Will not rust
- Central hole for parasol
- Tables can tessellate when beside each other
- Bespoke colours
- Concealed bolt-down option in foot plates
- Handmade in our UK workshop
- 5 year warranty

## Environmental:

- British manufacture
- FISP accredited
- 100% recyclable
- Durable materials
- 86% recycled aluminium
- Economical to re-paint

## Installation:

Check on access to ensure this one piece product can be installed without difficulty.



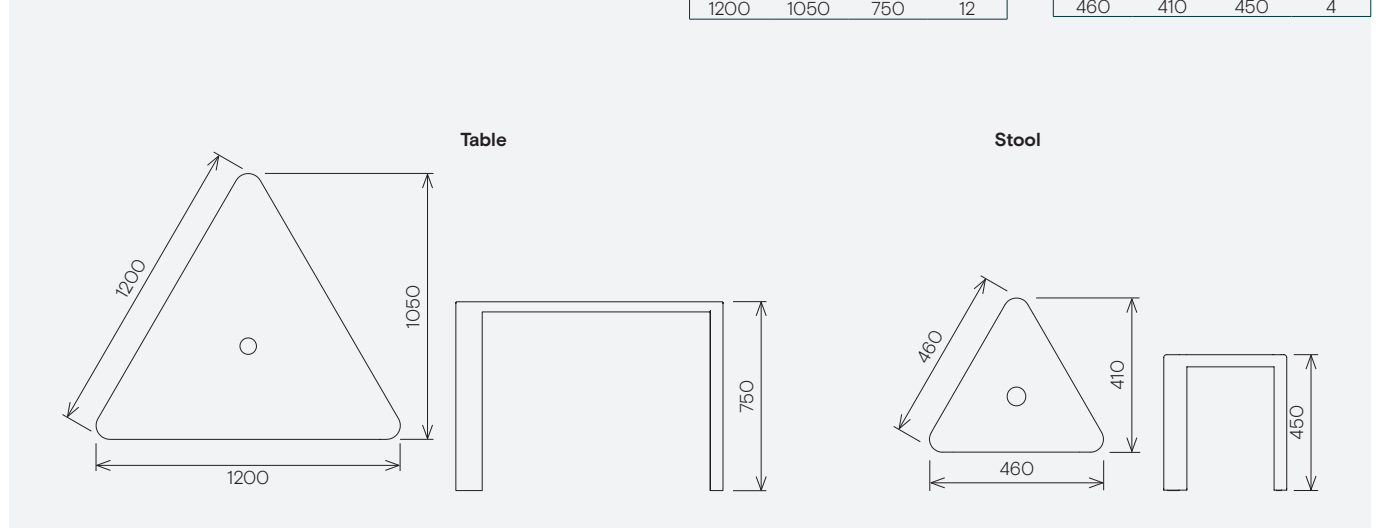
Powder-coated aluminium (colour Traffic Blue RAL 5017)

## Dimensions & Weight

All dimensions in mm.

	W	D	H	kg
Table	1200	1050	750	12

	W	D	H	kg
Stool	460	410	450	4



## Powder-coated finishes (inside and outside)

lacquer sealed

