

# Jennifer Newman | Trestle-tall table indoor/outdoor use

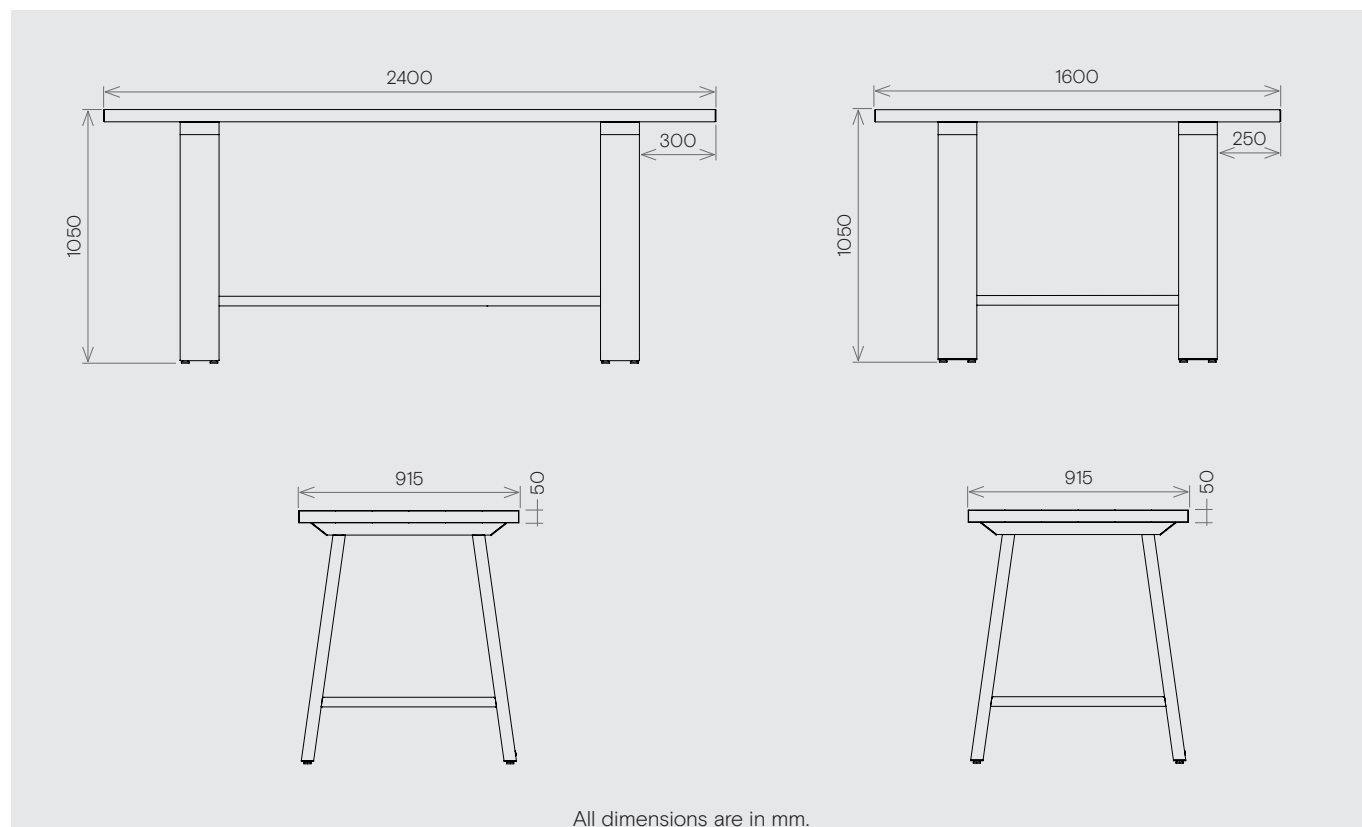
Simple, quick assembly



**Table (seats 8)**  
2400w x 915d x 1050h mm  
**Weight 75 kg**



**Table (seats 6)**  
1600w x 915d x 1050h mm  
**Weight 55 kg**



## Fine texture powder-coat finish, which provides:

- High resistance to wear-and-tear
- Low-glare reflection
- Long life durability
- Ease of cleaning
- Low maintenance
- Anti-bacterial and Volatile-Organic-Compound free.

## Other features:

- Aluminium for long-life, will not rust.
- Completely sealed construction.
- Flush undersides avoid wind uplift.
- Bolt-down brackets available.
- 10 standard colours, others on request (see separate reference sheet).