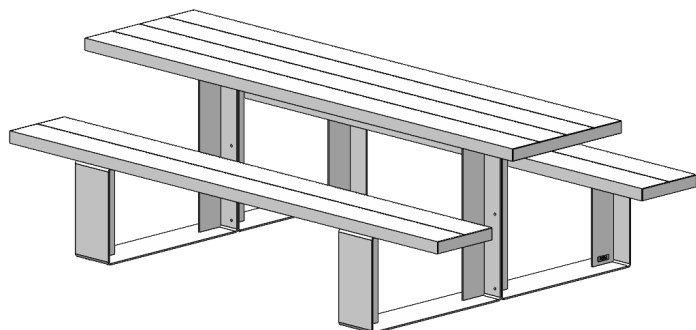


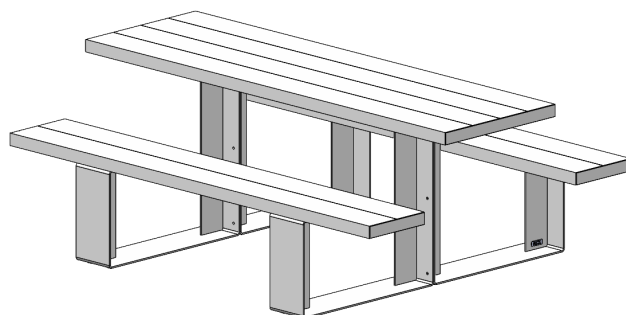
# Jennifer Newman | Alfresco-Bench

indoor/outdoor use

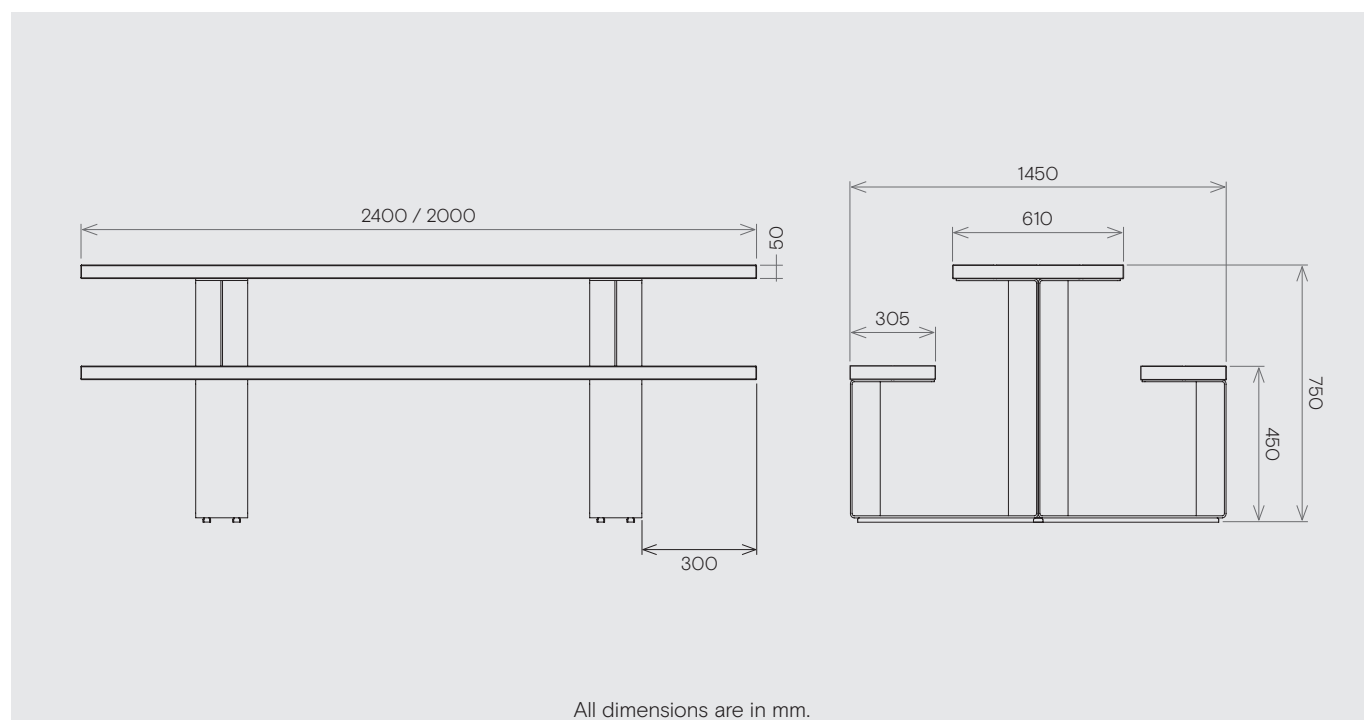
Simple, quick assembly



**Seats 10**  
2400w x 1450d x 750h mm  
Weight 180 kg



**Seat 8**  
2000w x 1450d x 750h mm  
Weight 170 kg



Fine texture powder-coat finish, surface only, provides:

- High resistance to wear-and-tear
- Low-glare reflection
- Long life durability
- Ease of cleaning
- Low maintenance
- Anti-bacterial and Volatile-Organic-Compound free.
- Stainless steel, frame only, with a clear lacquer topcoat
- Wheelchair access at each end.
- Parasol hole option (50mm dia).
- 10 standard colours, others on request (see separate reference sheet).