

BLOCK END BENCH

Jennifer Newman

Uses

Terraces - Canteens - Breakout Areas - Office

Key Features

- For outside and inside use
- Hand-made; rounded edges and corners
- Will not rust
- 5 year warranty

Materials

Aluminium with polyester powder-coat, available in the following JN specially selected colours:

Gun Metal
Pyrite 2525 Matt

Light Blue
BS 18 C 35

Sable
BS 04 B 21

Deep Cream
BS 381 C 353

Bronze
2525 Matt

Black
RAL 9004

Oxide Red
RAL 3009

Optional Extras

- Bolt-down lugs or in-structure weights
- Any RAL Classic colours
- Bespoke sizes

Alternative Seating

- Block Bench
- Cube Stool

Environmental

- British manufacture
- FISP accredited
- 100% Recyclable
- Durable materials
- 86% Recycled aluminium
- Economical to re-paint

Installation

Check on access to ensure this one piece product can be installed without difficulty.

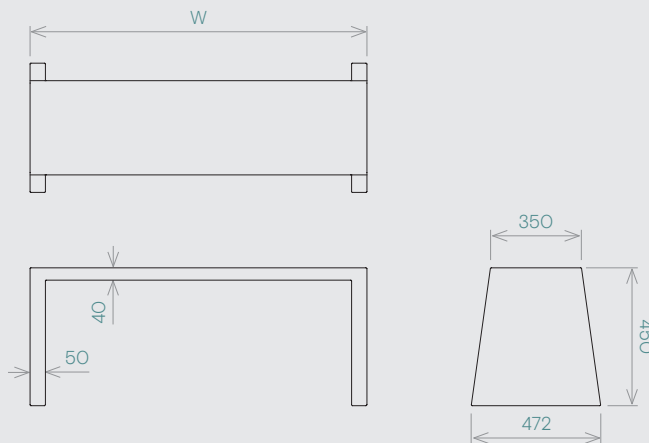


Product shown in colour : Pastel Blue RAL 5024

Dimensions & Weight

All dimensions in mm. Bespoke sizes are available on request.

W	D	H	kg
1500	350	450	14
2000	350	450	17



Seating Arrangement

