

# HUDDLE TABLE – LOW HUDDLE BENCH

Jennifer  
Newman

## Uses

Canteen – Creative Studios – University  
Workshops – Office Breakout Areas

## Key Features

- Industrial castors with brakes (optional)
- For inside use only
- 5 year warranty

## Materials

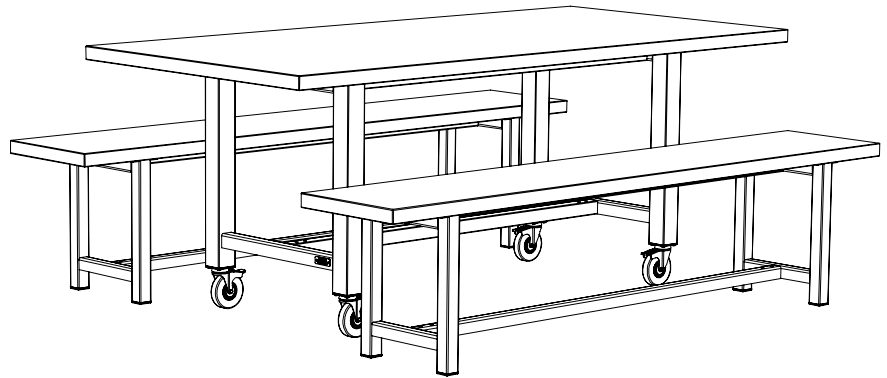
### Surface:

30mm FSC Birch ply with clear or tinted lacquers, available in the following JN standard colours:

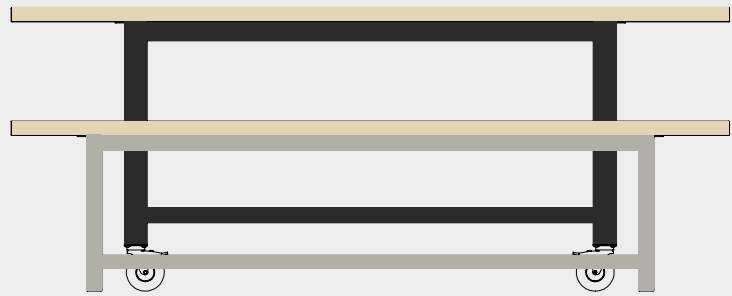
Clear lacquer	Gun Metal Pyrite 2525 Matt
Light Pink	RAL 3015
Pine Green	RAL 6028
Pastel Blue	RAL 5024
Pastel Orange	RAL 2003
Light Ivory	RAL 1015
Traffic Red	RAL 3020
Black	RAL 9004
Agate Grey	RAL 7038
Cream	RAL 9001
White	RAL 9010

### Frame:

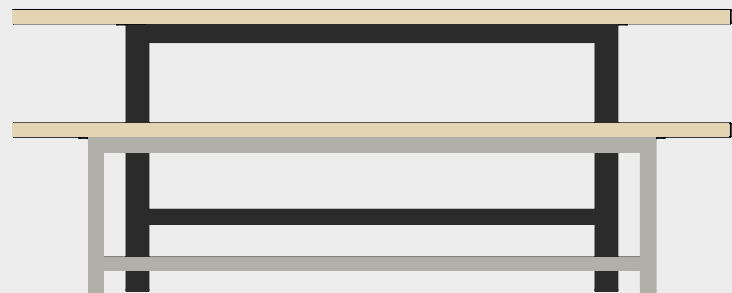
Steel with polyester powder-coat, available in the following JN standard colours:



## Table with Castors



## Table without Castors



## Optional Extras

Oak 'butchers block' surface with a clear lacquer (38mm thick)

- Laminate or veneer on birch plywood
- Non-standard RAL colours
- Bespoke sizes

## Environmental

- British manufacture
- FISP accredited
- Durable materials
- 86% Recycled steel
- Ply from FSC sources

## Installation

Full assembly instructions inside fixing pack.

## Dimensions & Weight

All dimensions in mm. Bespoke sizes are available on request.

Table				Bench			
W	D	H	kg	W	D	H	kg
1900	900	750	70	1900	350	450	18

