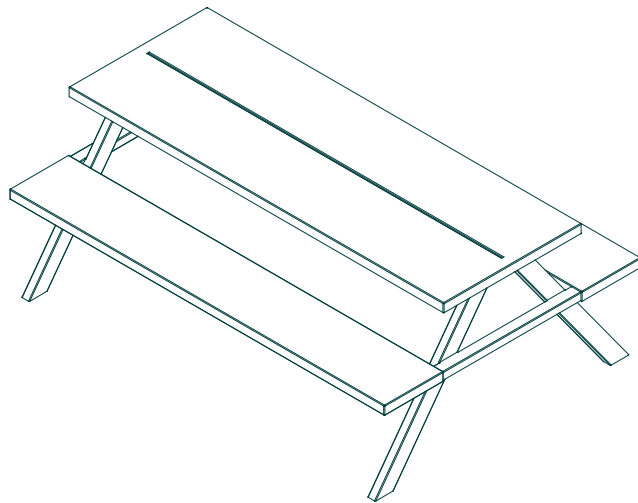


## A-FRAME BENCH

Powder-Coated Aluminium



### CLEANING

**Routine:**

Non-abrasive damp cloth and mild detergent.

**DO NOT USE GRANULAR CLEANING MATERIAL OR BLEACH / ACIDS.**

**Scuffs and Scrape Marks:**

Can be removed with products like Big Wipes – [bigwipes.com](http://bigwipes.com).

### MAINTENANCE

**General:**

No maintenance required unless damaged.

**Damage:**

Chips to paint can be touched up with external quality paint of the correct RAL number from Martin Brown Paints – [martinbrownpaints.com](http://martinbrownpaints.com).