

BLOCK BENCH

Jennifer Newman

Uses

Terraces - Canteens - Breakout Areas - Office

Key Features

- For outside and inside use
- Will not rust
- Handmade in our workshop
- 5 year warranty

Materials

Outside Surface:

Natural Iroko Slats

Will turn silver grey when exposed to UV light.

Inside surface

options:

- 24mm birch ply
- Tough lacquer finished
- Clear finish or tinted colour as below:

Outside metal

surface & frame:

Durable aluminium powdercoated in the following JN specially selected colours or any RAL Classic colours

Agate Grey	Gun Metal Pyrite 2525 Matt
Light Blue	Light Blue BS 18 C 35
Sable	Sable BS 04 B 21
Light Ivory	Deep Cream BS 381 C 353
Beige Grey	Bronze 2525 Matt
Black	Black RAL 9004
Oxide Red	Oxide Red RAL 3009

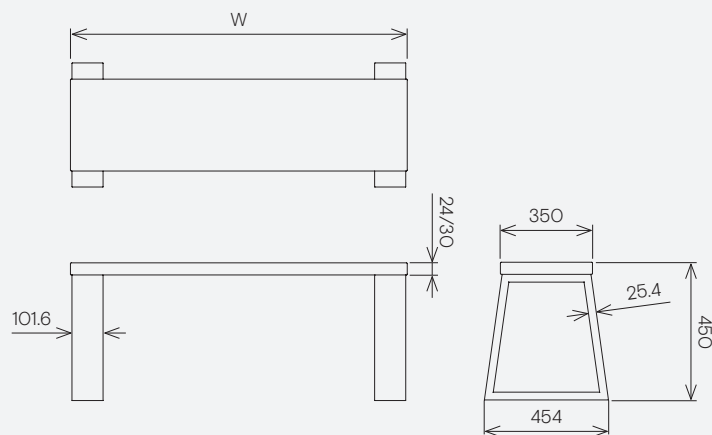


Product shown in colour : Citrine 51 with Black ply surface

Dimensions & Weight

All dimensions in mm. Bespoke sizes are available on request.

W	D	H	kg
1500	350	450	14
2000	350	450	17



Optional Extras

- Bespoke sizes
- Bolt-down lugs
- Laminate or veneer on birch plywood

Alternative seating

- Block End Bench

Environmental

- British manufacture
- FISP accredited
- 100% Recyclable frame
- 86% Recycled aluminium

Installation

Delivered Disassembled

Full assembly instructions inside fixing pack.

Seating Arrangement

