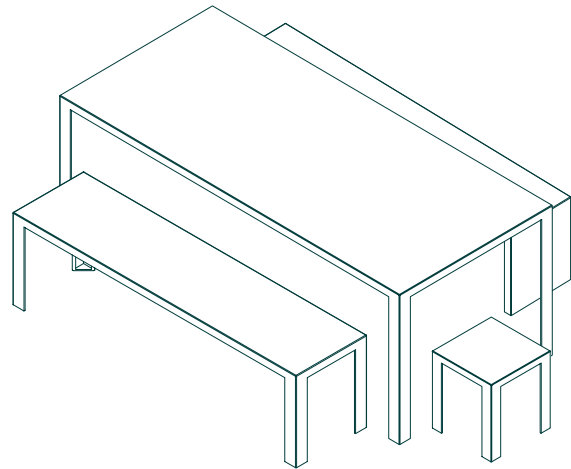


ANGLE TABLE, BENCH & STOOL

Powder-Coated Aluminium



CLEANING

Routine:

Non-abrasive damp cloth and mild detergent.

DO NOT USE GRANULAR CLEANING MATERIAL OR BLEACH / ACIDS.

Scuffs and Scrape Marks:

Can be removed with products like Big Wipes - bigwipes.com.

MAINTENANCE

General:

No maintenance required unless damaged.

Damage:

Chips to paint can be touched up with external quality paint of the correct RAL number from Martin Brown Paints - martinbrownpaints.com.