

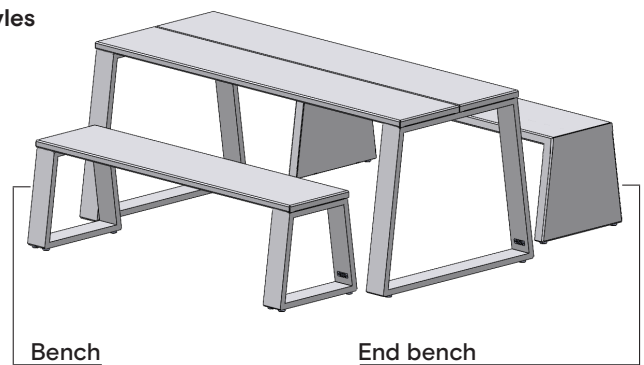
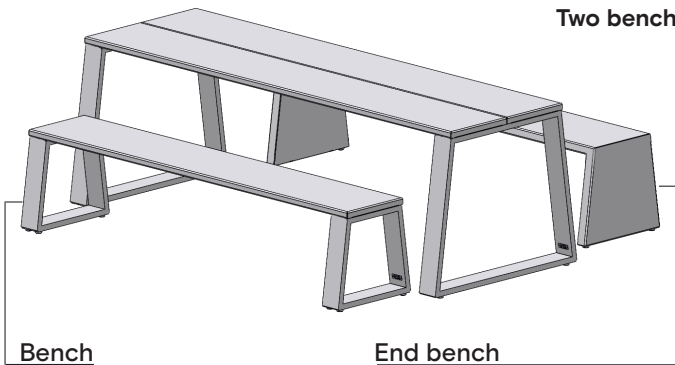
Jennifer Newman | Block table, bench and end bench indoor/outdoor use

Table and bench | Simple, quick assembly
 End bench | All-welded, no assembly required

Table (seats 8)
 2300w x 700d x 750h mm
 Weight 50 kg

Table (seats 6)
 1800w x 700d x 750h mm
 Weight 40 kg

Two bench styles

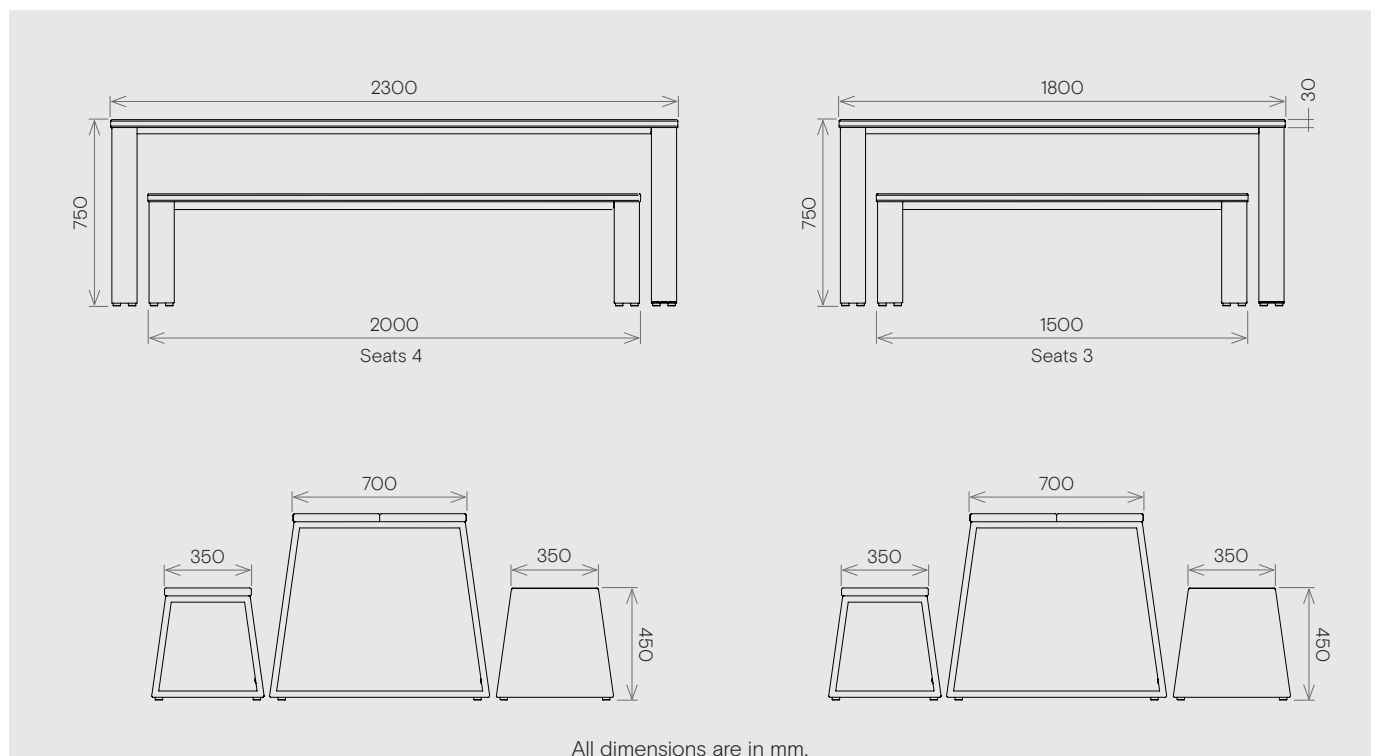


Bench
 2000w x 350d x 450h mm
 Weight 18 kg

End bench
 2000w x 350d x 450h mm
 Weight 20 kg

Bench
 1500w x 350d x 450h mm
 Weight 15 kg

End bench
 1500w x 350d x 450h mm
 Weight 17 kg



- Aluminium for long-life, will not rust.
- Fine texture powder-coat resilient to wear and tear.
- Low-glare surface reflection.
- Anti-bacterial and volatile-organic-compound (VOC) free.
- Bolt-down brackets available.
- Minimal maintenance, easily cleaned.
- 10 standard colours, others on request (see separate reference sheet).