

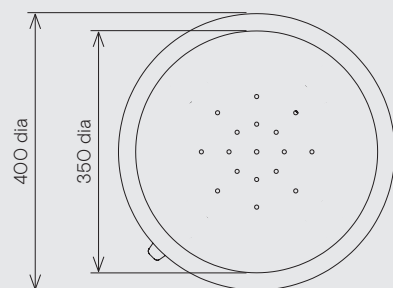
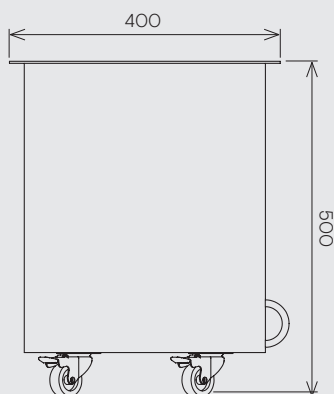
Jennifer Newman | **Drum planter** indoor/outdoor use



500dia x 600h mm
Weight 8 kg



400dia x 500h mm
Weight 5 kg



All dimensions are in mm.

Fine texture powder-coat finish providing:

- Aluminium for long-life, will not rust.
- Anti-bacterial and Volatile-Organic-Compound free.
- Minimal maintenance, easily cleaned.
- Lockable castors, or pallet truck access.

Other benefits and features:

- Security hoop included.
- Lockable castors.
- Drainage holes as standard.
- Liners for indoor use **not** provided.
- 13 standard colours, others on request (see separate reference sheet).